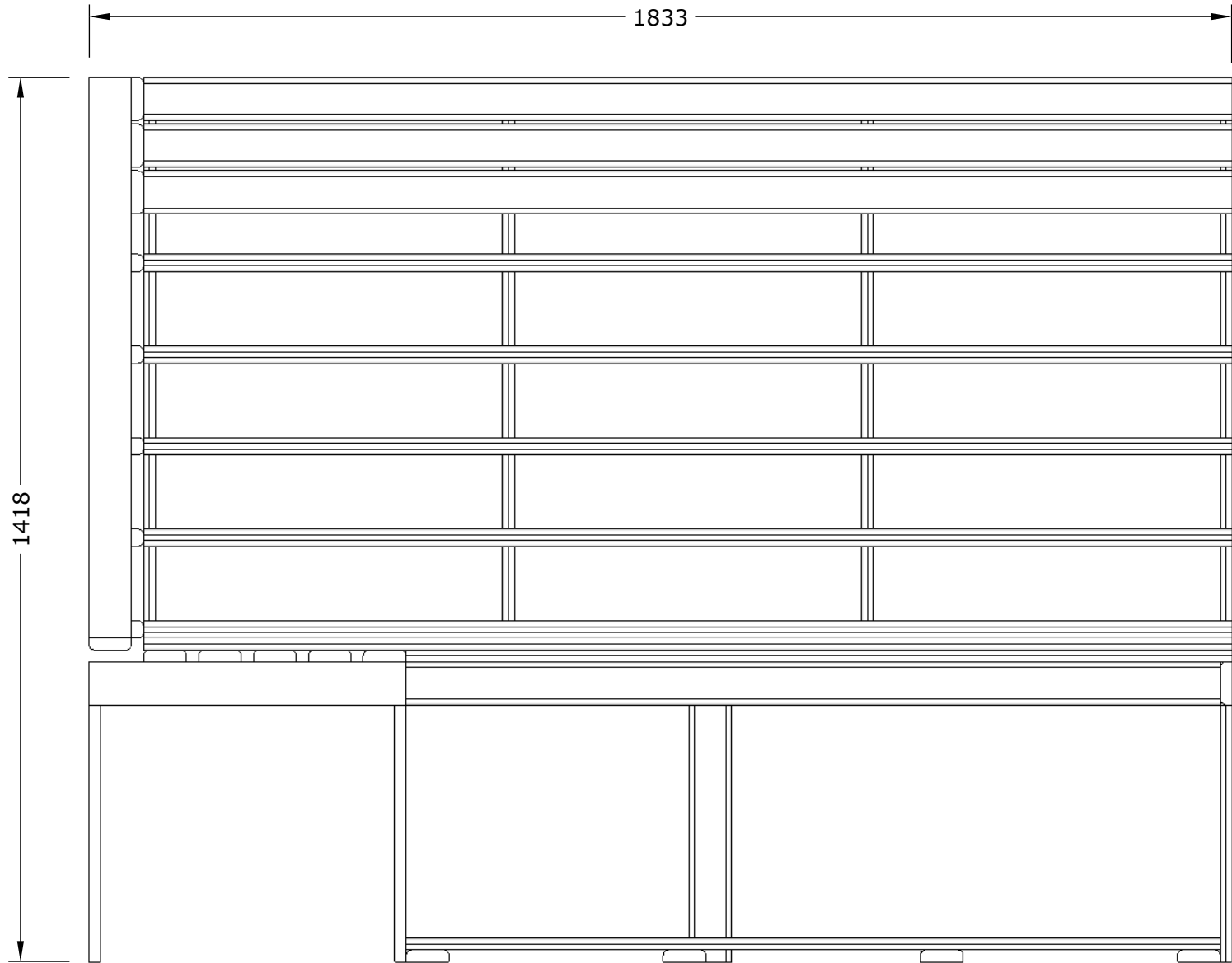
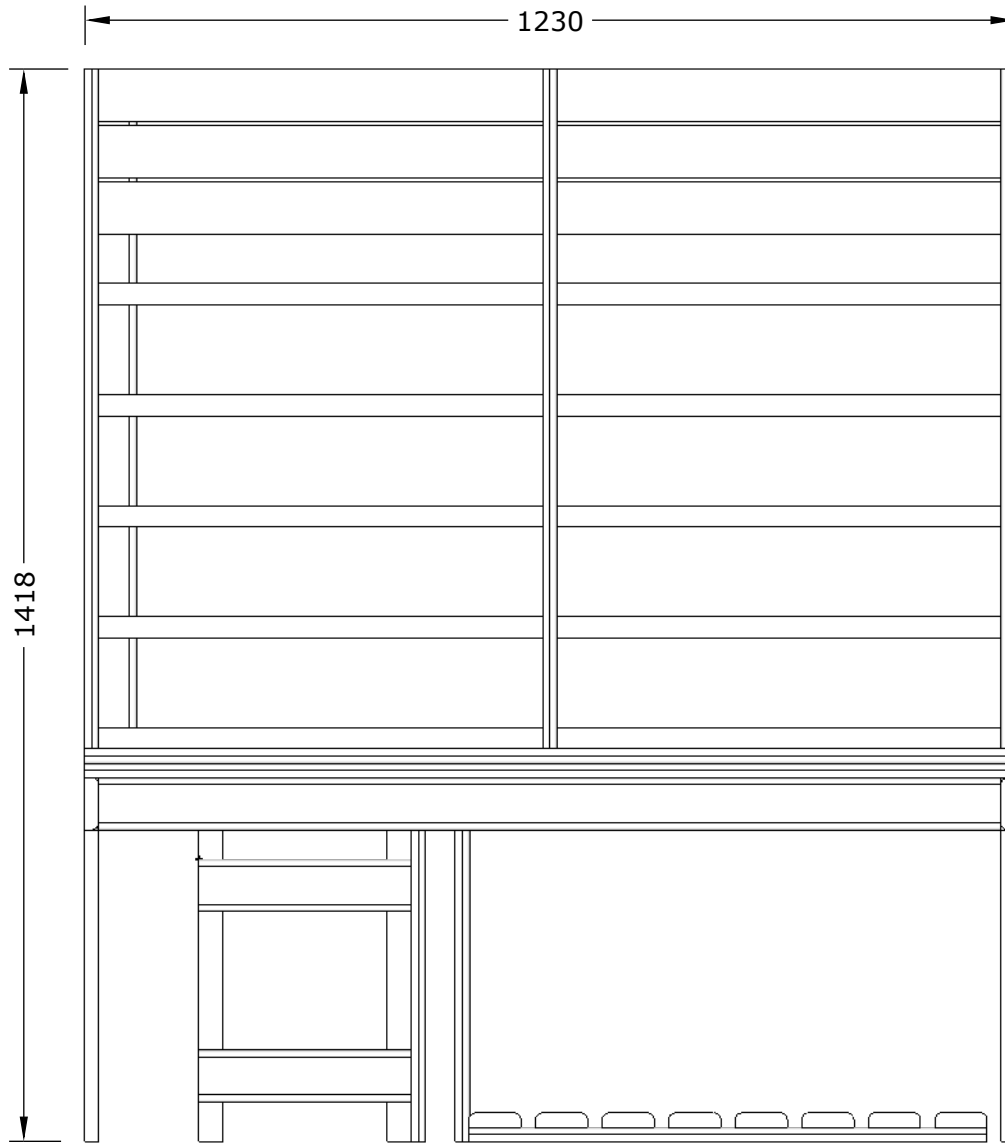
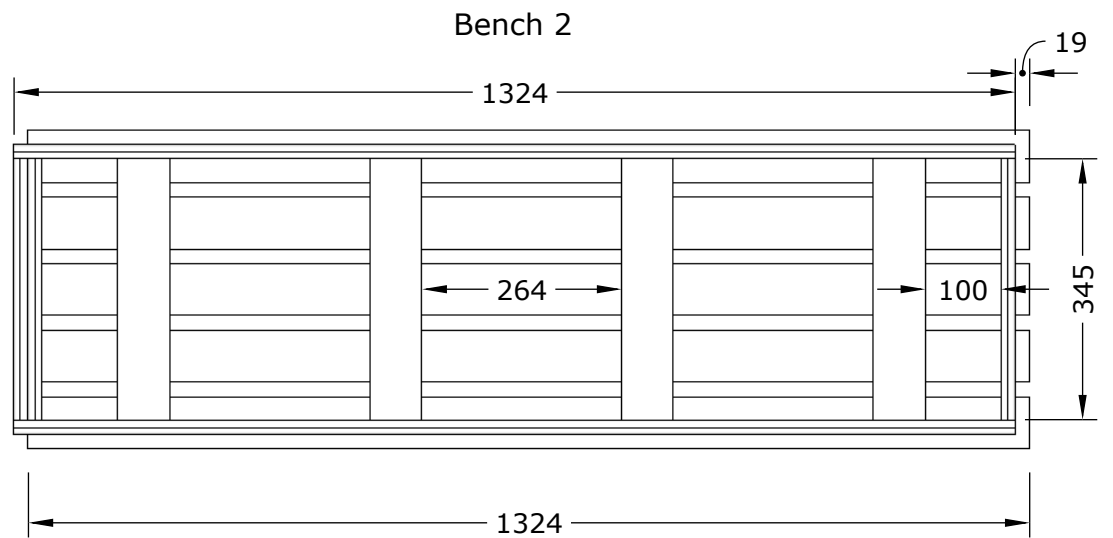
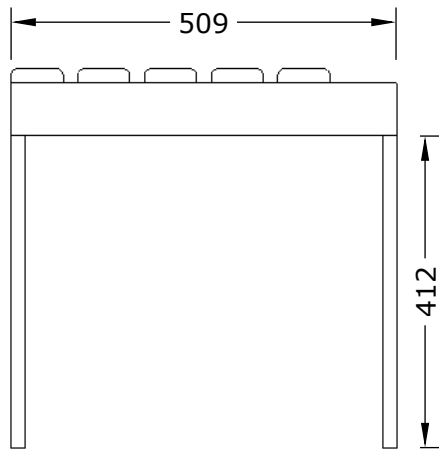
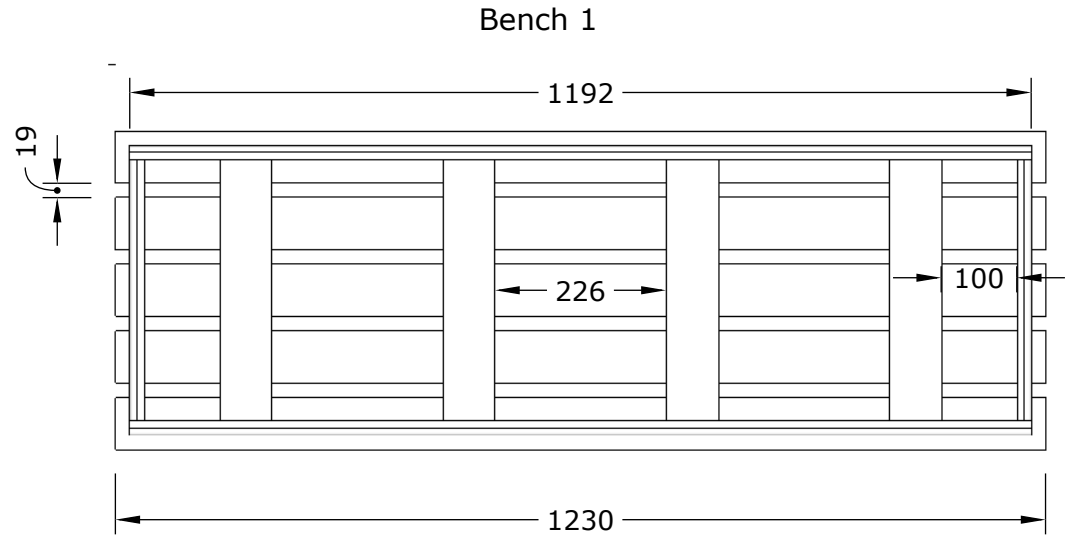
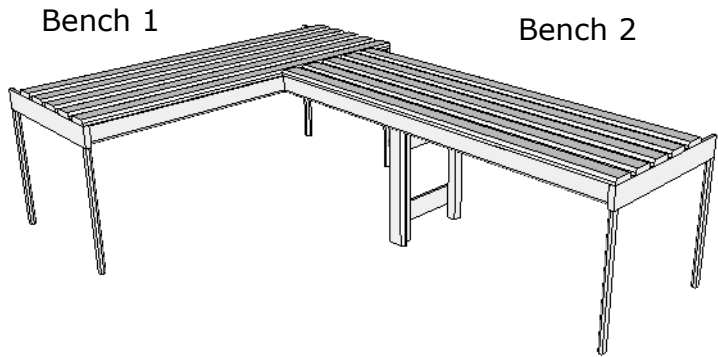


Timber List			
Part	Section (mm)	Length (mm)	Qty
Bench 1	69 x 19	1230	5
	69 x 19	1192	2
	69 x 19	345	6
Bench 2	69 x 19	1324	7
	69 x 19	345	7
Bench End Rail	69 x 19	509	3
Rail Support	19 x 19	412	6
Backrest 1	69 x 19	1230	4
	69 x 19	899	3
	19 x 19	1230	5
Backrest 2	69 x 19	1745	4
	69 x 19	899	4
	19 x 19	1745	5
Floor Mat	69 x 19	1305	8
	69 x 19	685	4
Bench Support	69 x 19	443	1
	69 x 19	300	1
	69 x 19	281	2
	32 x 32	443	2

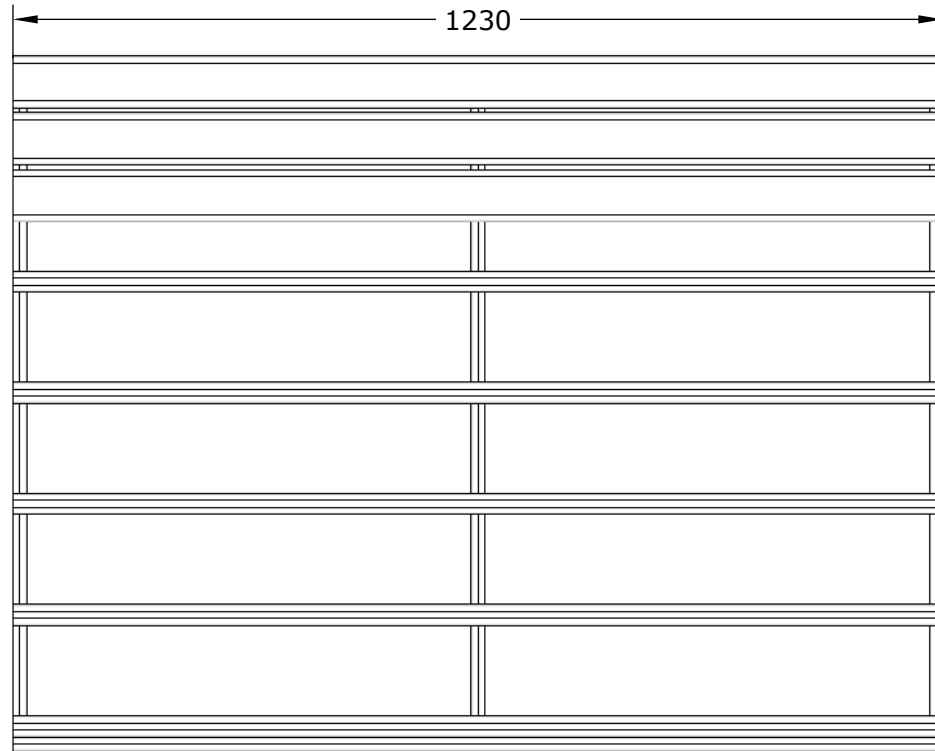
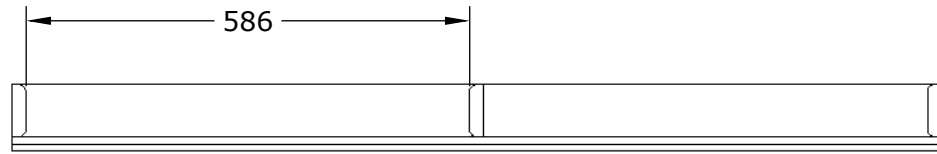
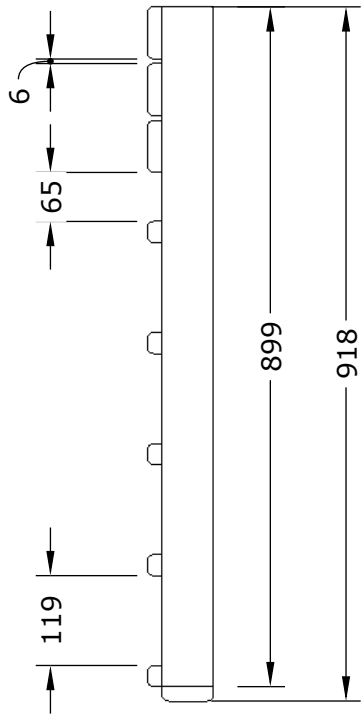




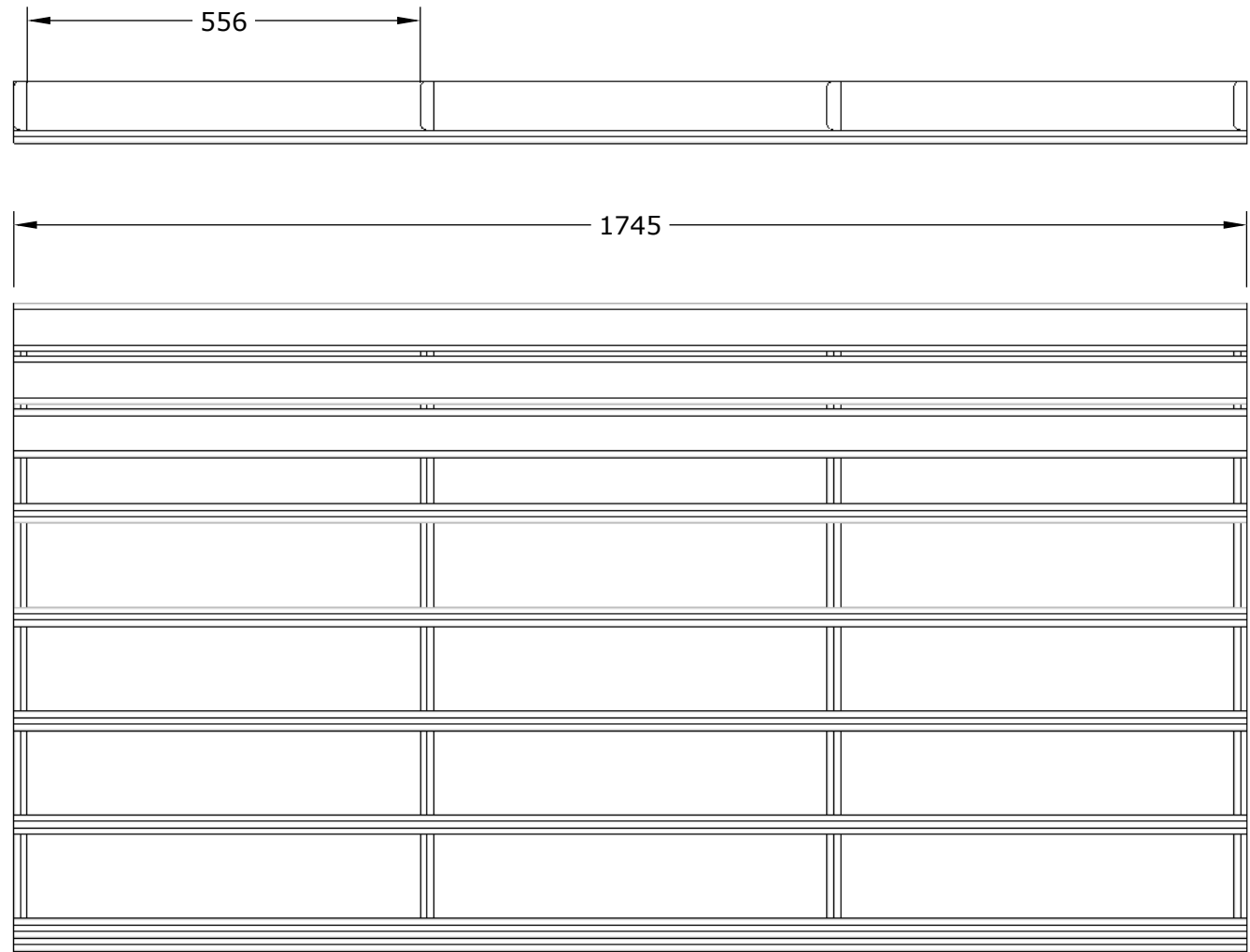
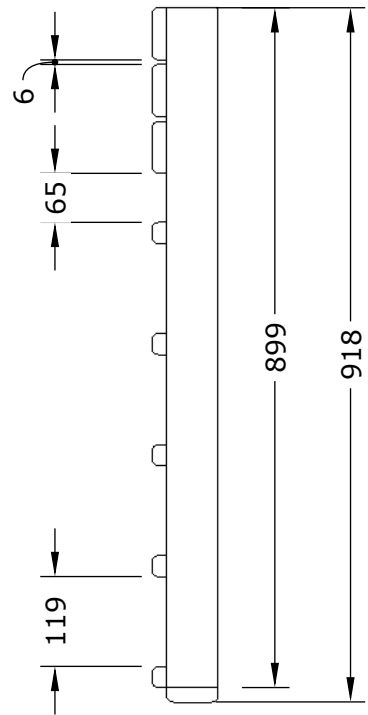
Scale 1:10 at A4



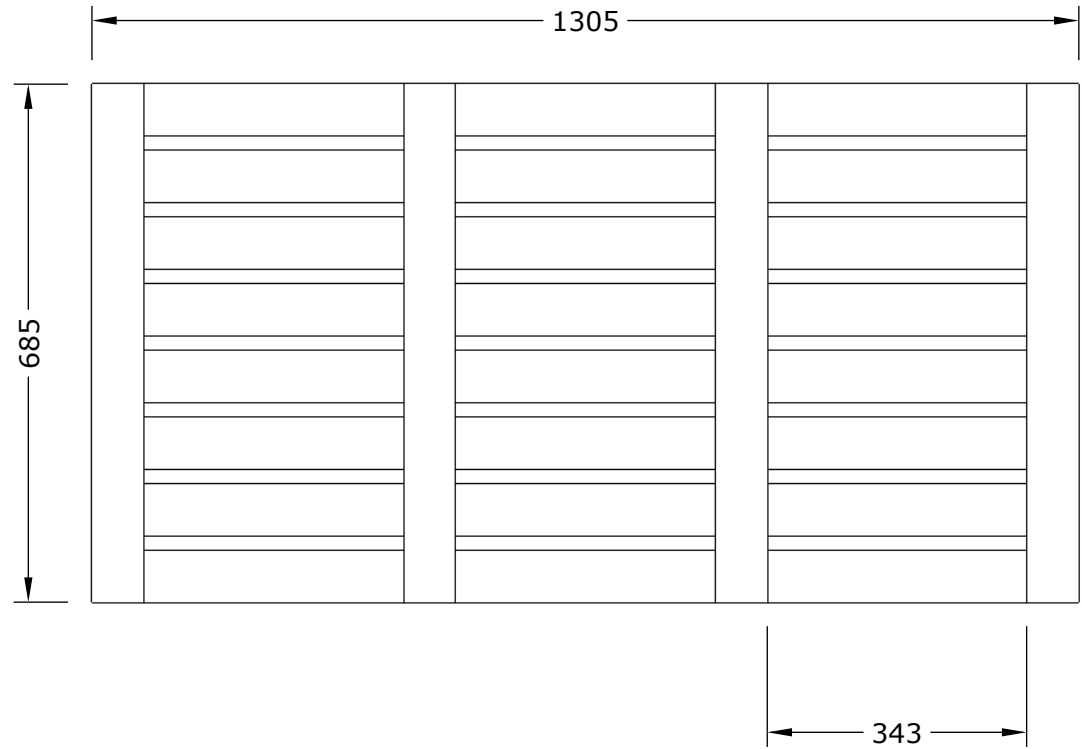
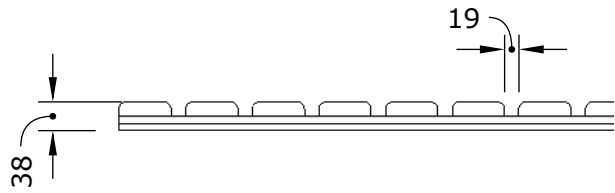
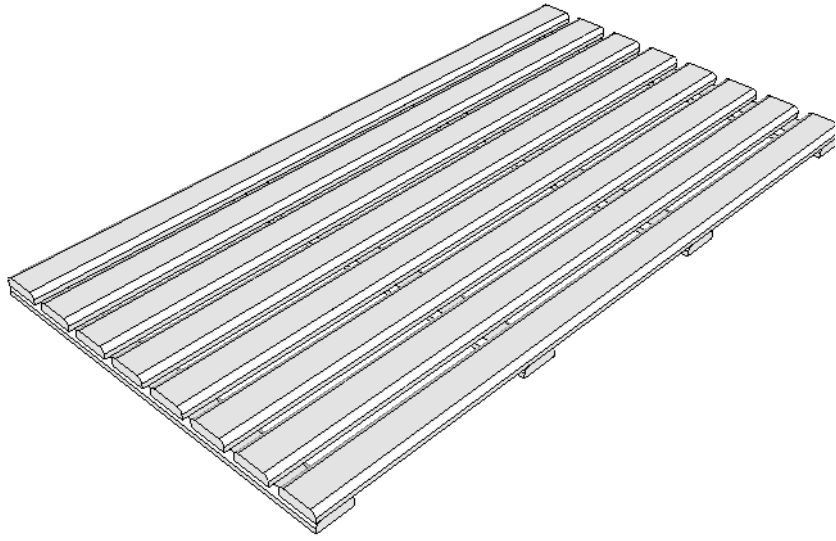
Scale 1:10 at A4



Scale 1:10 at A4



Scale 1:10 at A4



Scale 1:10 at A4

