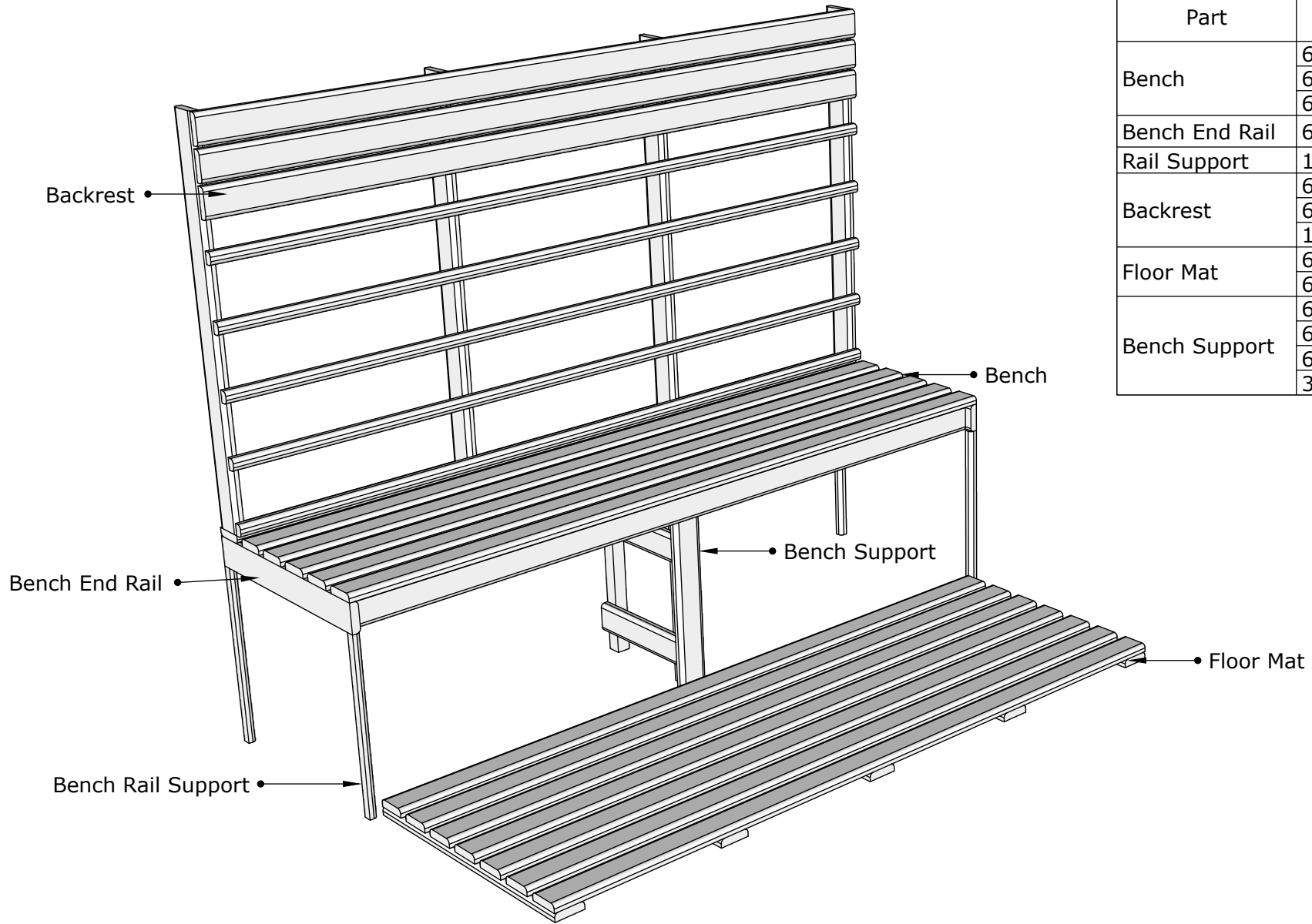
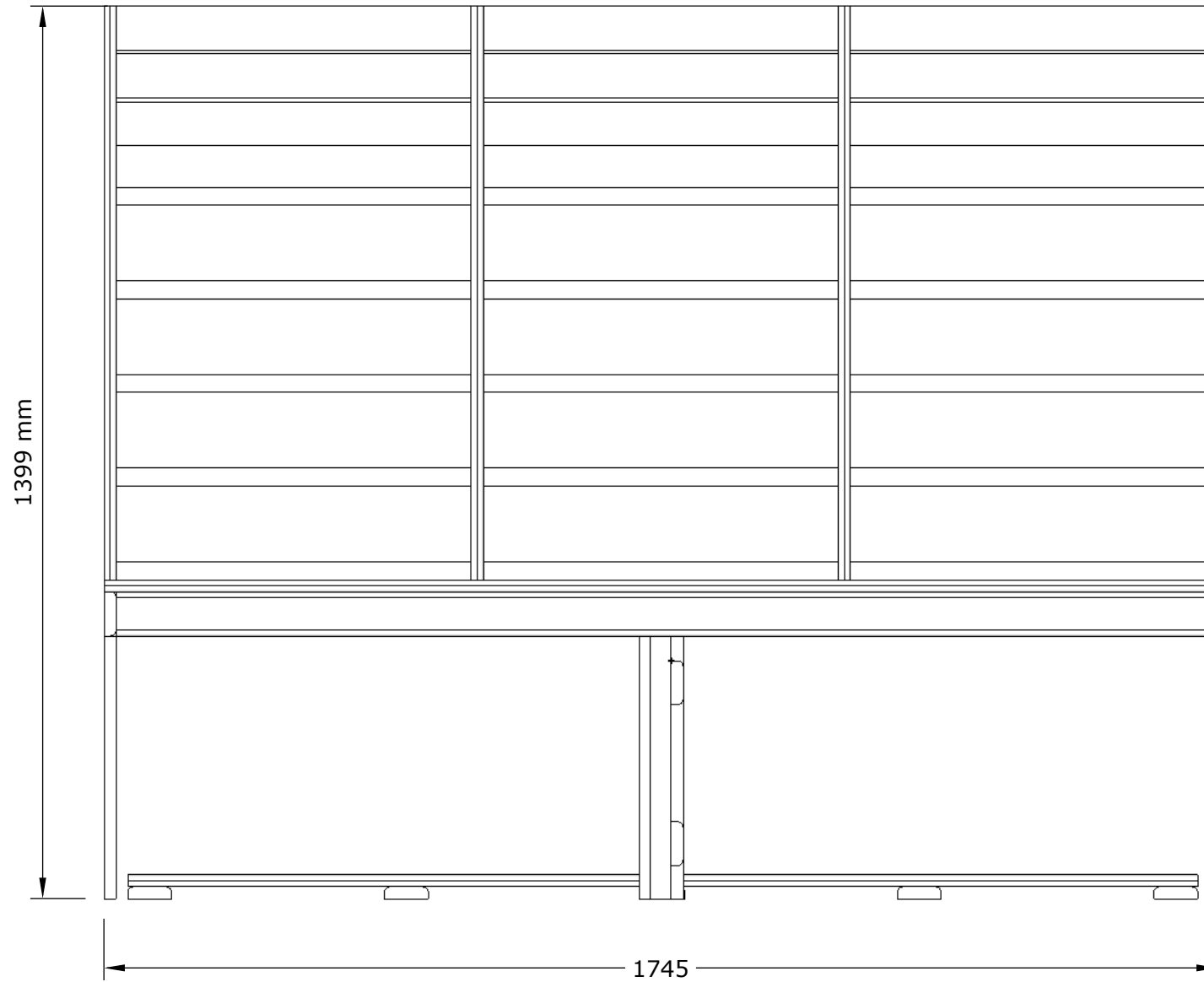
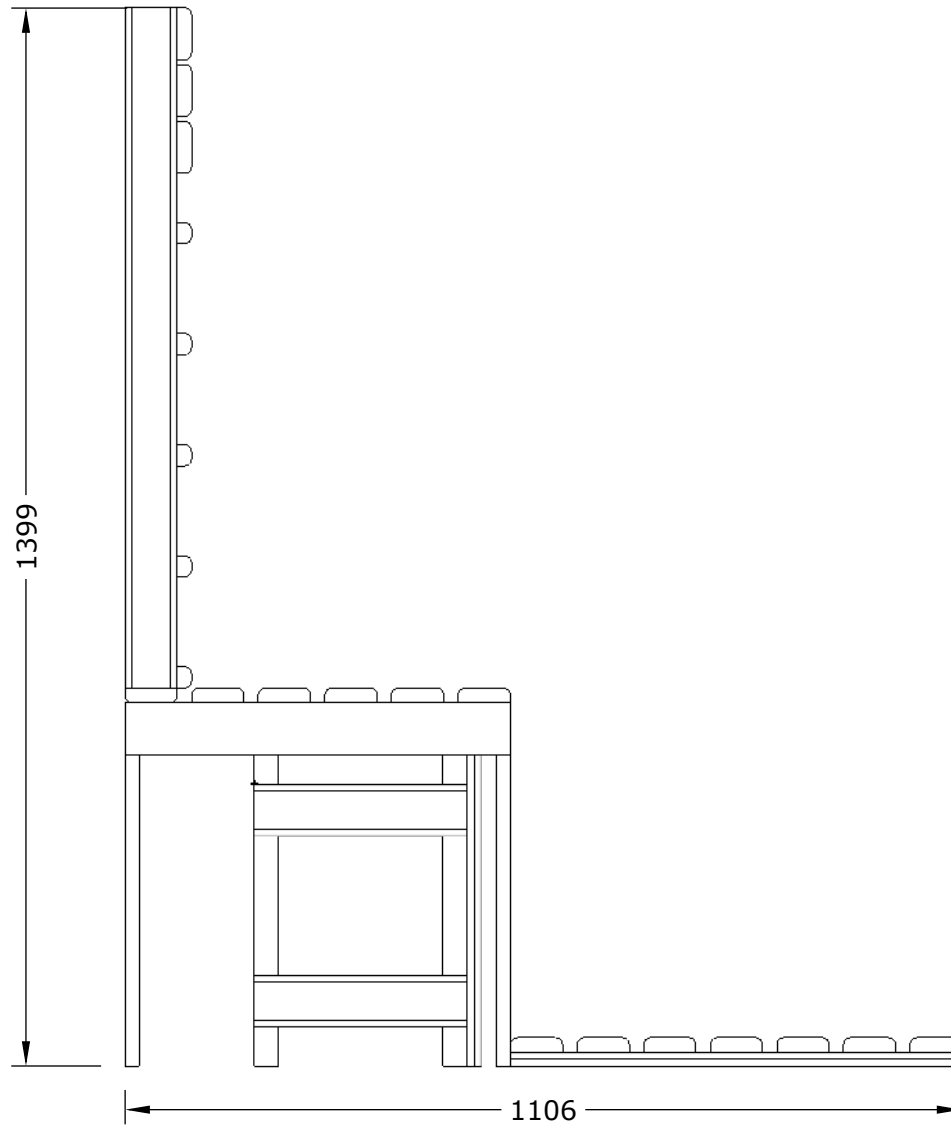


Timber List			
Part	Section (mm)	Length (mm)	Qty
Bench	69 x 19	1745	5
	69 x 19	1707	2
	69 x 19	345	7
Bench End Rail	69 x 19	509	2
Rail Support	19 x 19	412	2
Backrest	69 x 19	1745	4
	69 x 19	899	5
	19 x 19	1745	5
Floor Mat	69 x 19	1677	7
	69 x 19	597	5
Bench Support	69 x 19	443	1
	69 x 19	300	1
	69 x 19	281	2
	32 x 32	443	2

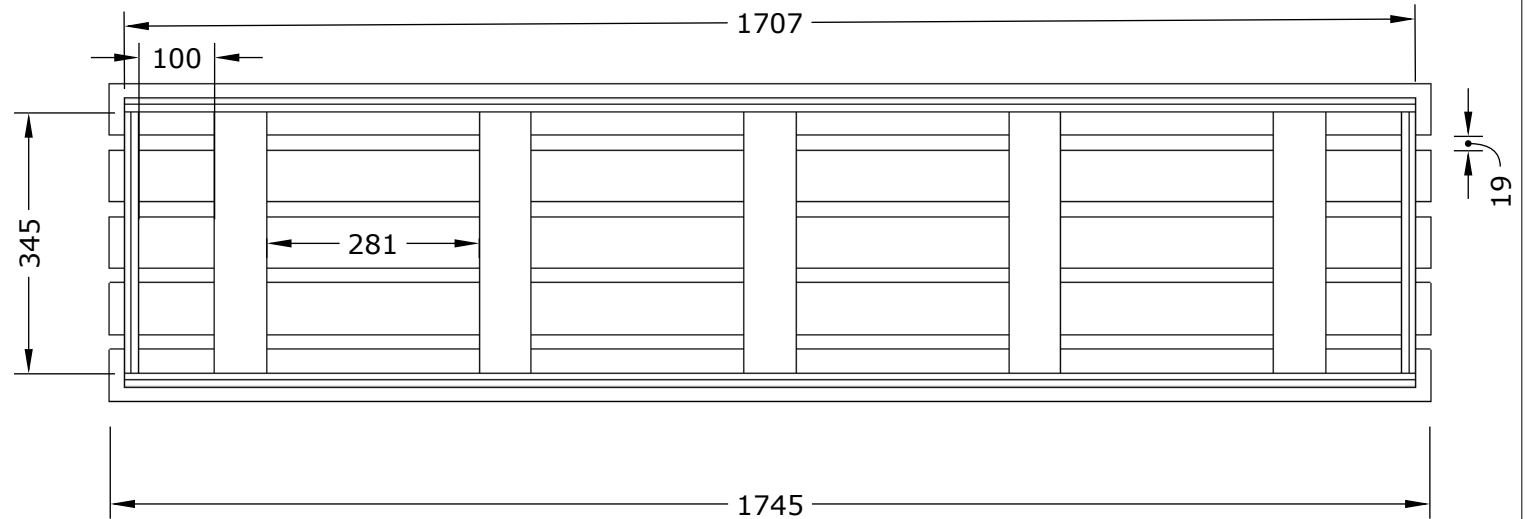
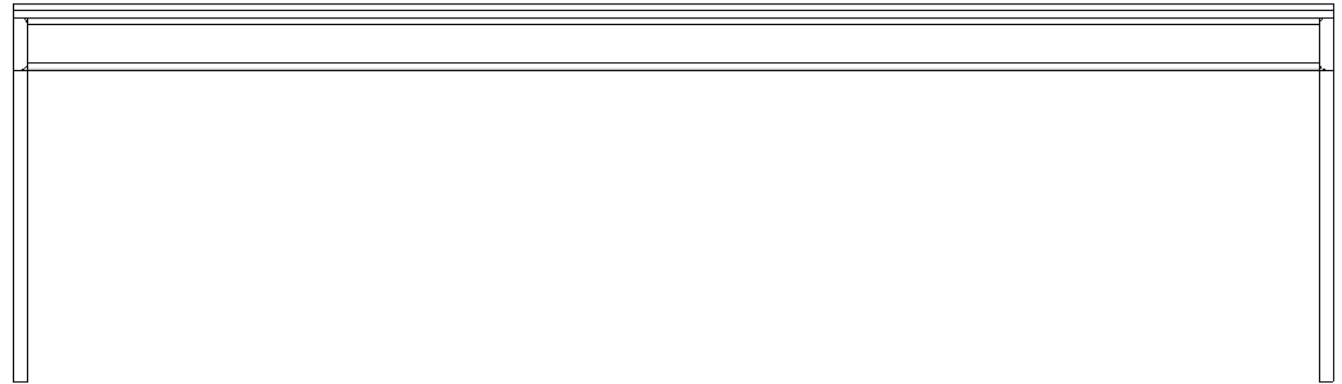
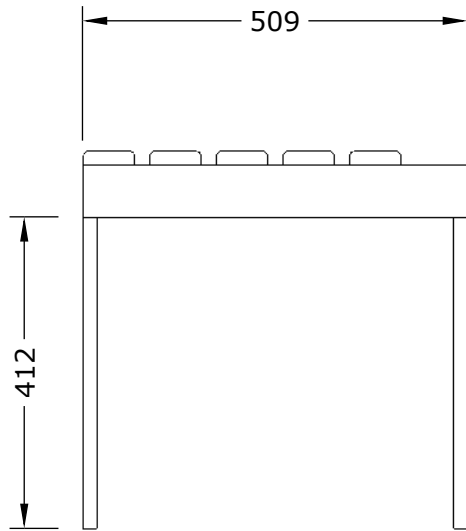




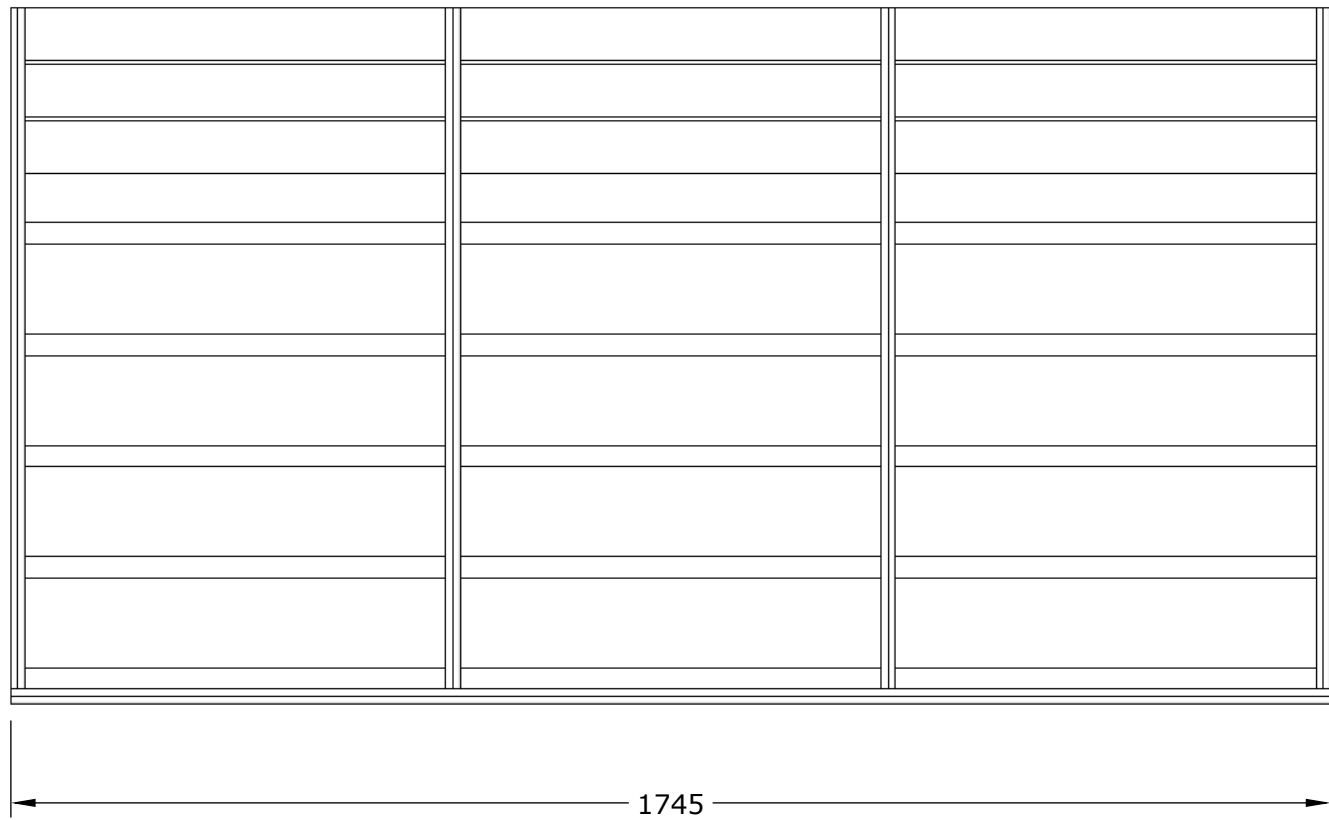
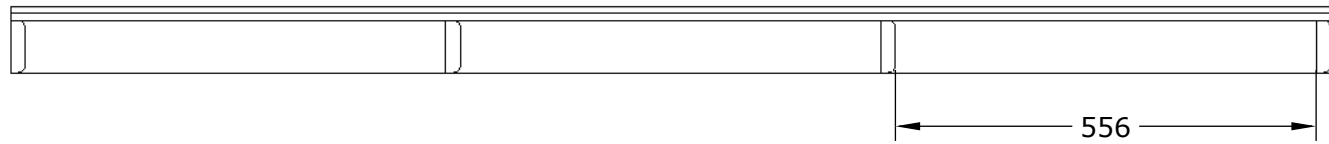
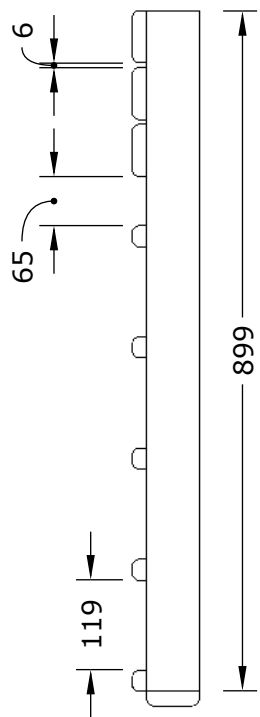
Scale 1:10 at A4



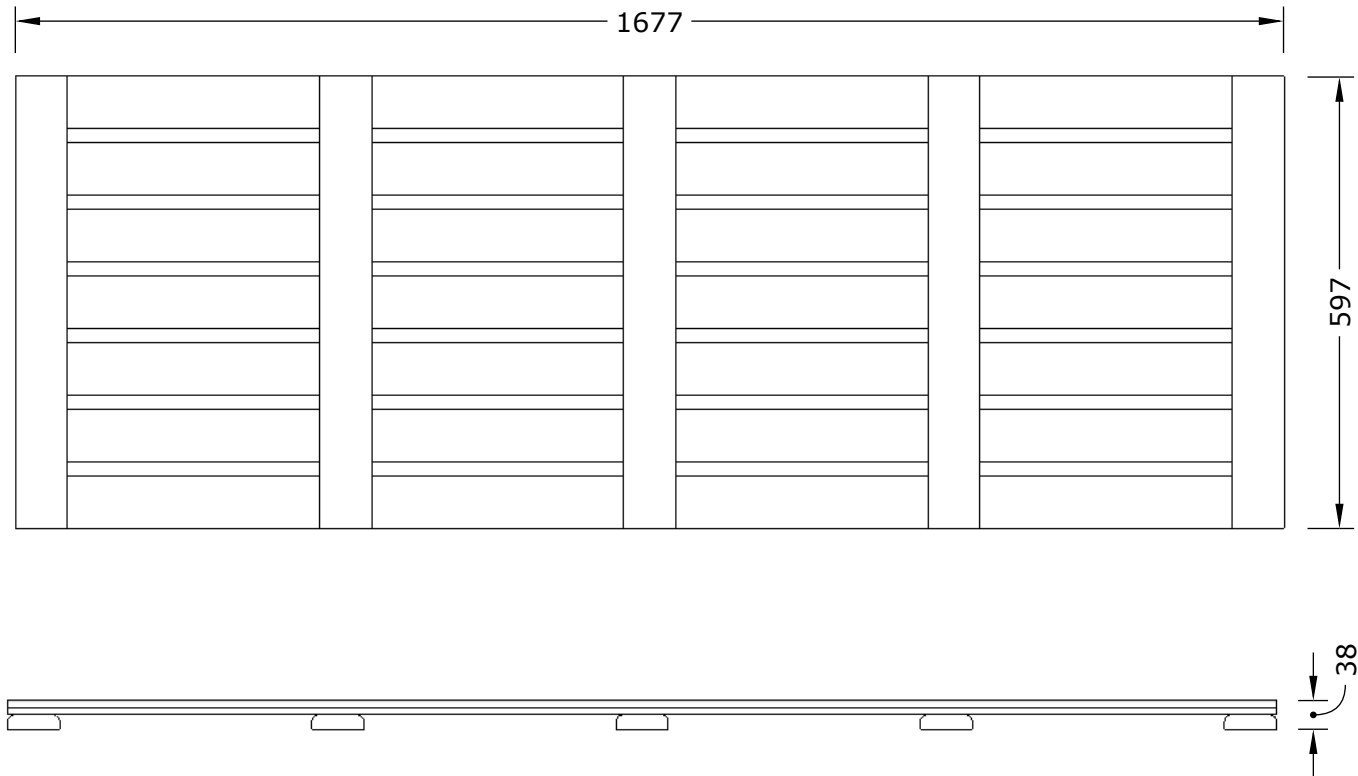
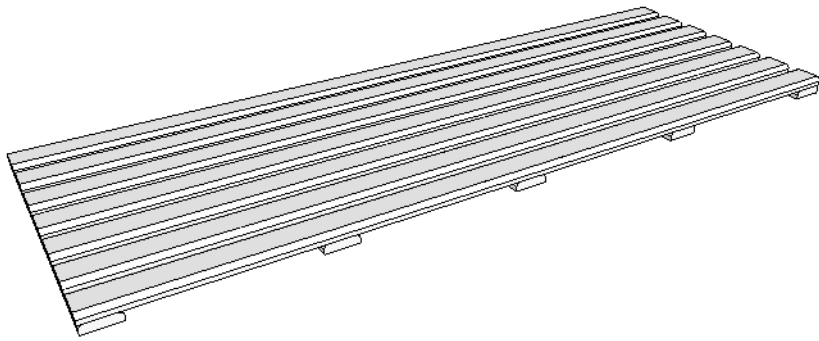
Scale 1:10 at A4



Scale 1:10 at A4



Scale 1:10 at A4



Scale 1:10 at A4

