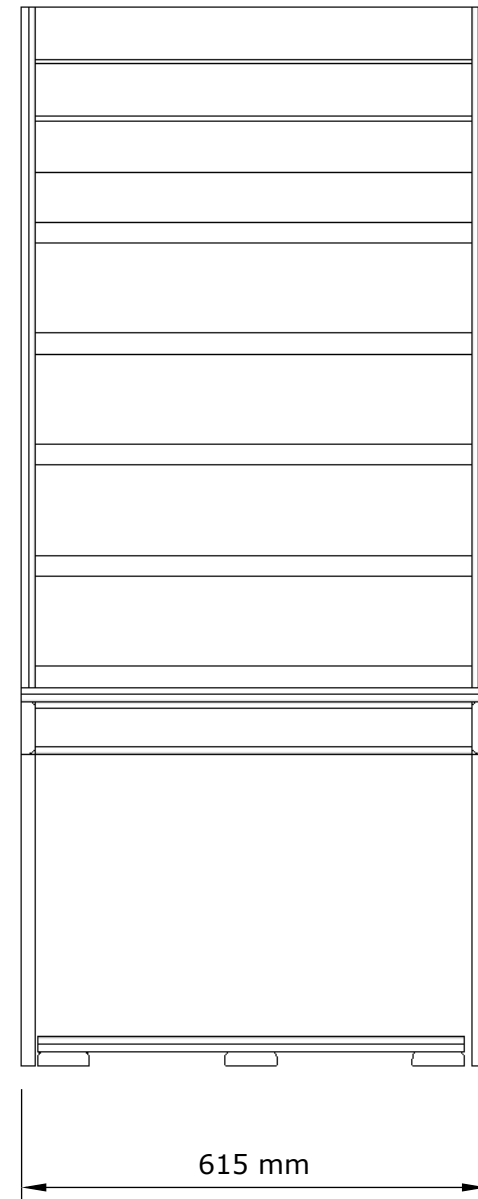
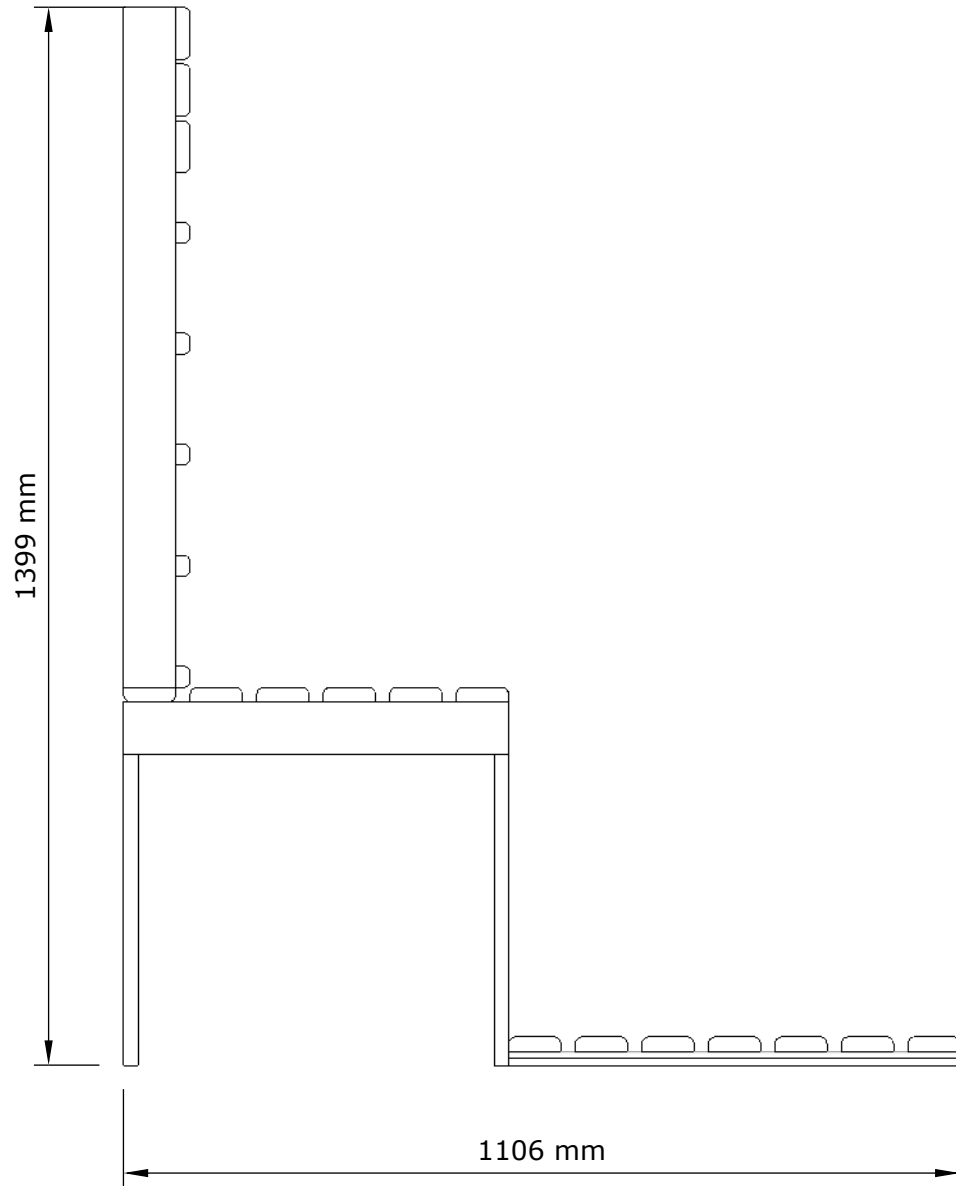
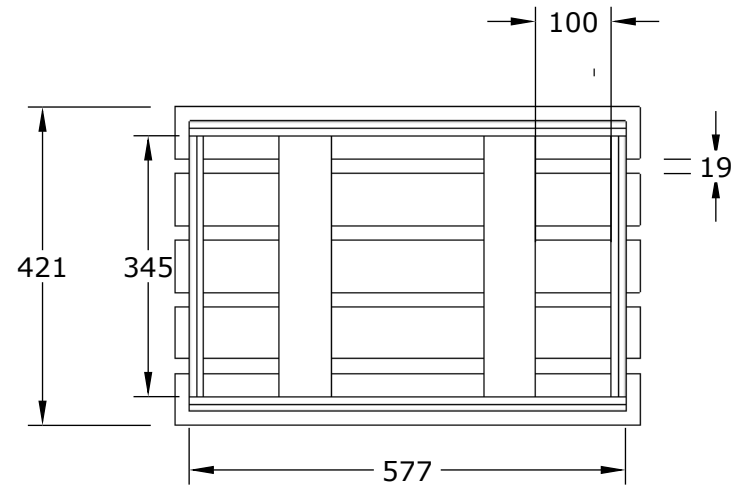
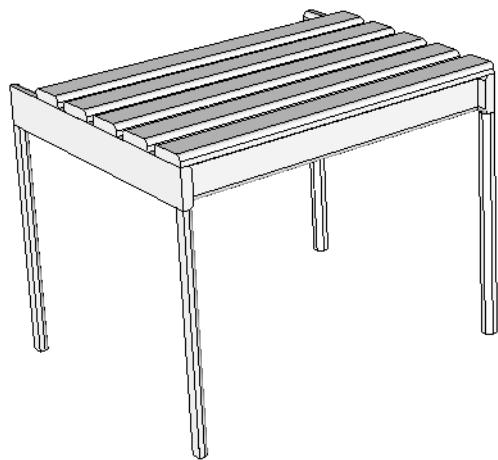
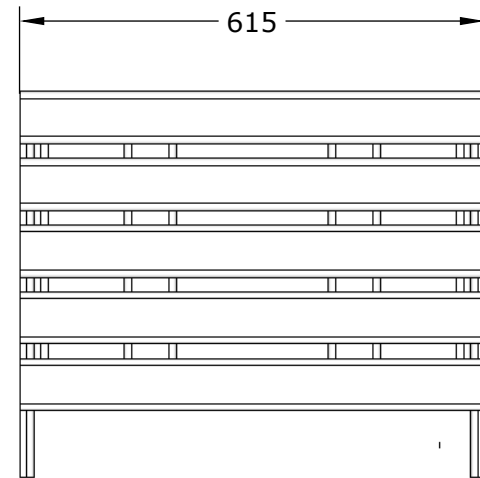
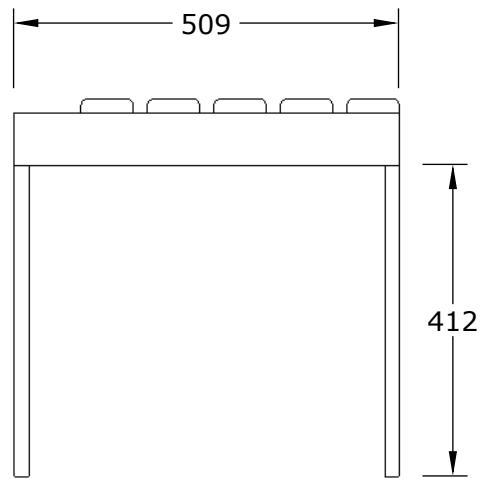


Timber List

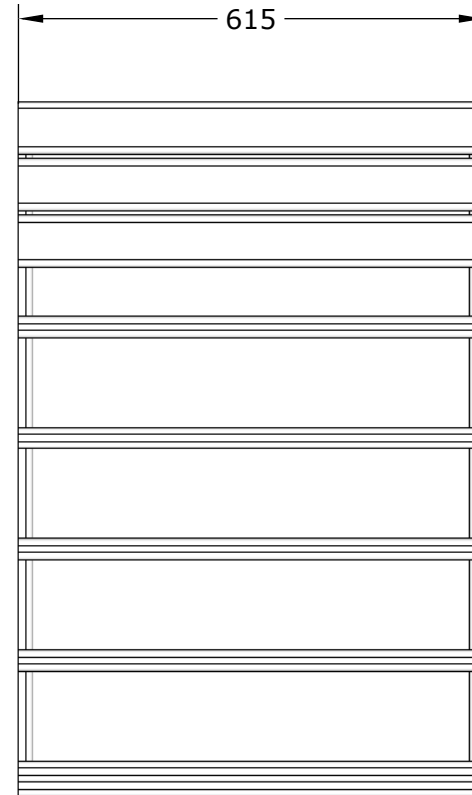
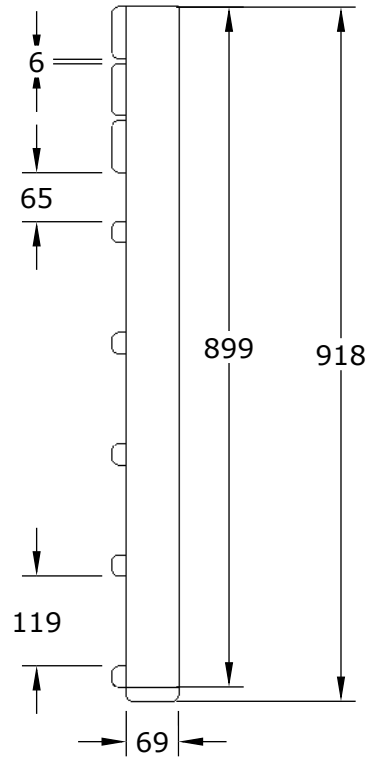
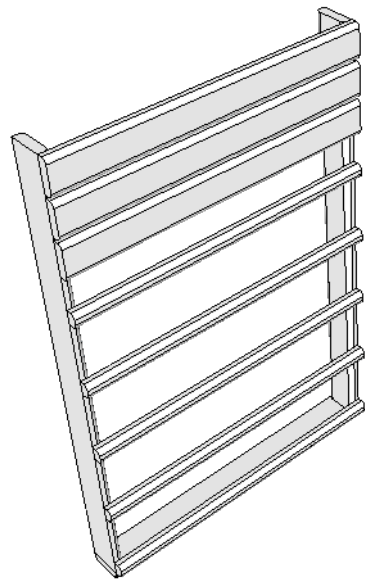
Part	Section (mm)	Length (mm)	Qty
Bench	69 x 19	615	5
	69 x 19	577	2
	69 x 19	345	4
Bench End Rail	69 x 19	509	2
Rail Support	19 x 19	412	2
Backrest	69 x 19	615	4
	69 x 19	899	2
	19 x 19	615	5
Floor Mat	69 x 19	565	7
	69 x 19	597	3



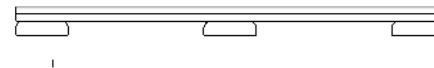
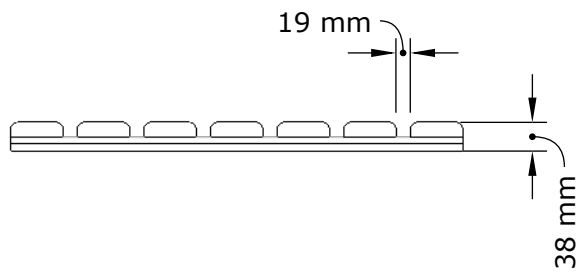
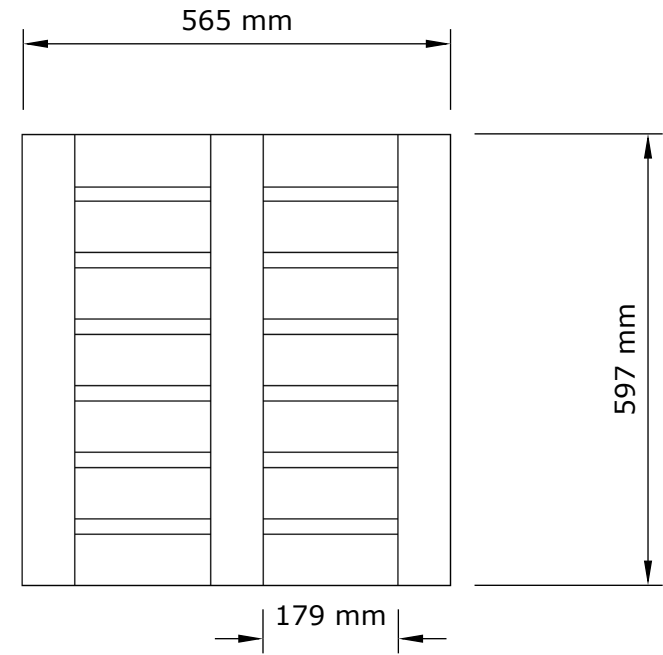
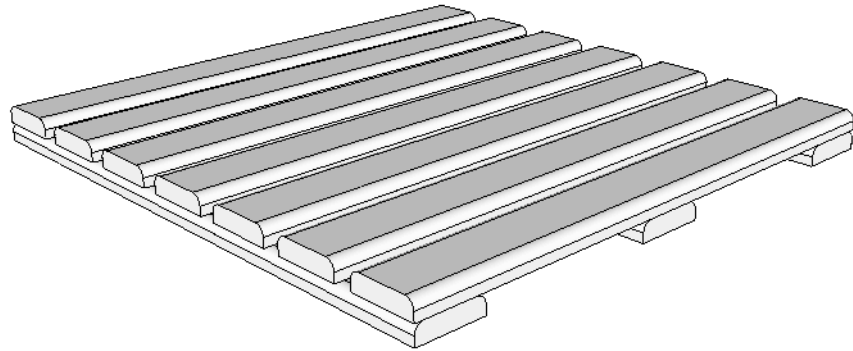
Scale 1:10 at A4



Scale 1:10 at A4



Scale 1:10 at A4



Scale 1:10 at A4