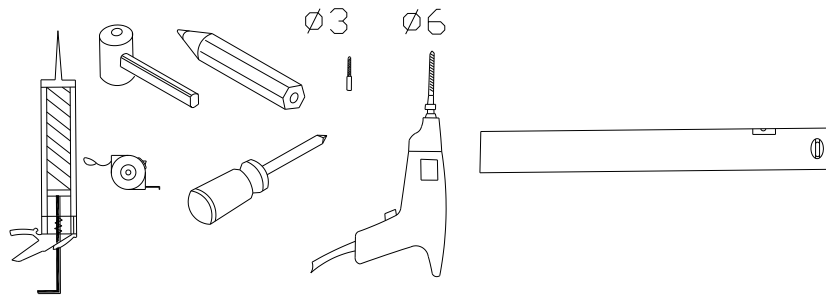


# 1300mm Full Glass Front

## 1. Mounting Preparation

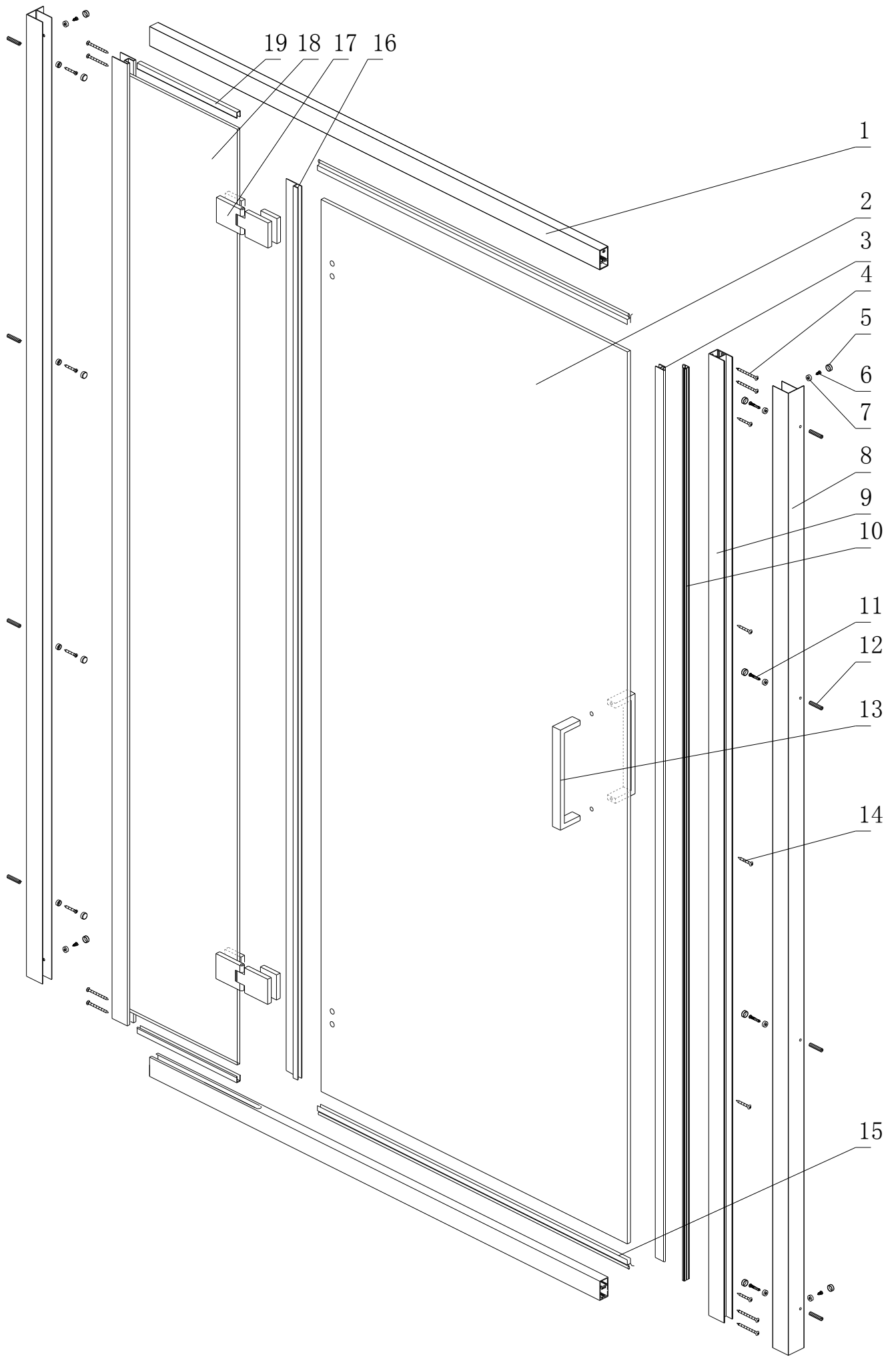
- 1.) After opening the case, read this instruction carefully, check all the packed parts, and examine the shower cabin for shipping damage. If there is any problem. Please contact the local seller or our company directly in time. You will get a satisfactory answer.
- 2.) Necessary tools: drilling machine, stone drill (D=6mm), meter stick, water level, pencil, screw driver, hammer



- 3.) With structured or imprinted glass make sure that the smooth side of the glass faces the inner side.

## 2. Packing list

- 1) rails (2pcs)
- 2) doors (1pcs)
- 3) magnet strips (1pcs)
- 4) M4x50 screws(8pcs)
- 5) Screws cover(12pcs)
- 6) M4x10 screws (4pcs)
- 7) Screws cushion (12pcs)
- 8) wall connecting profiles (2pcs)
- 9) frame profile(1pcs)
- 10) magnetic strips profile (1pcs)
- 11) M4x30 screws (8pcs)
- 12) plugs (8pcs)
- 13) handle (1pcs)
- 14) M4x30 screws (5pcs)
- 15) anti-water strips (2pcs)
- 16) anti-water strips for the door(2) (1pcs)
- 17) hinges (2pcs)
- 18) fix doors (1pcs)
- 19) U size strips (2pcs)



### 3. Mounting process

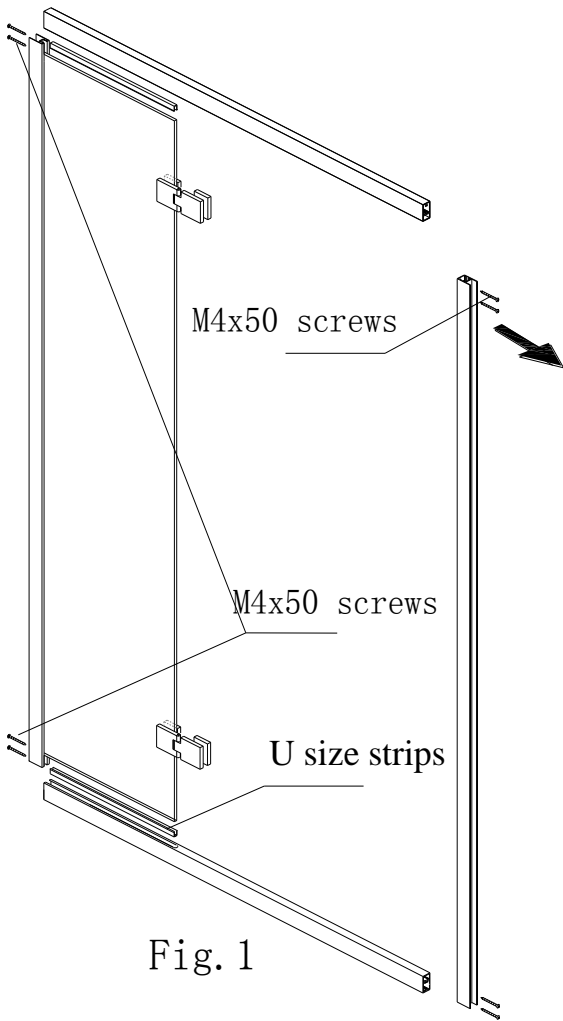


Fig. 1

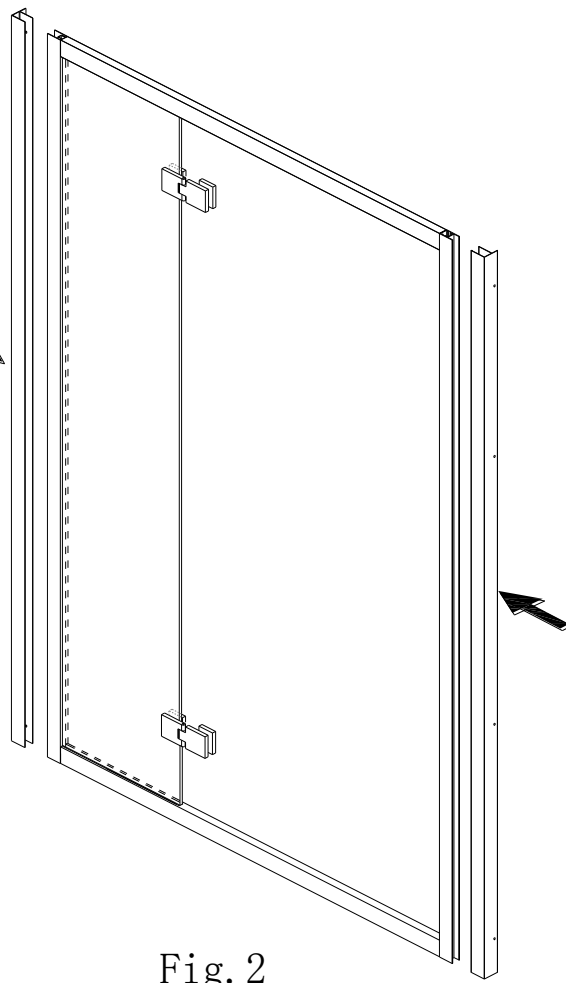


Fig. 2

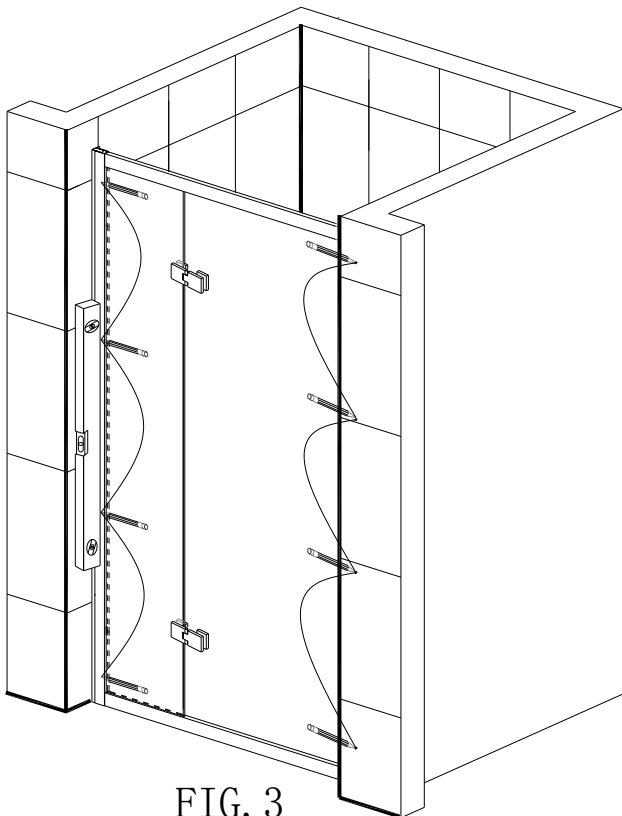


FIG. 3

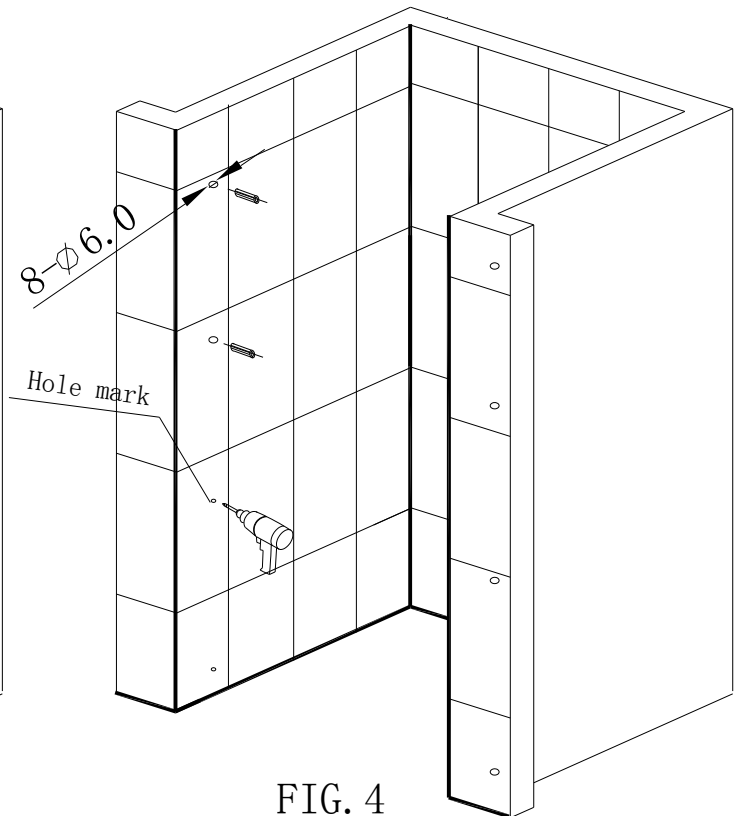


FIG. 4

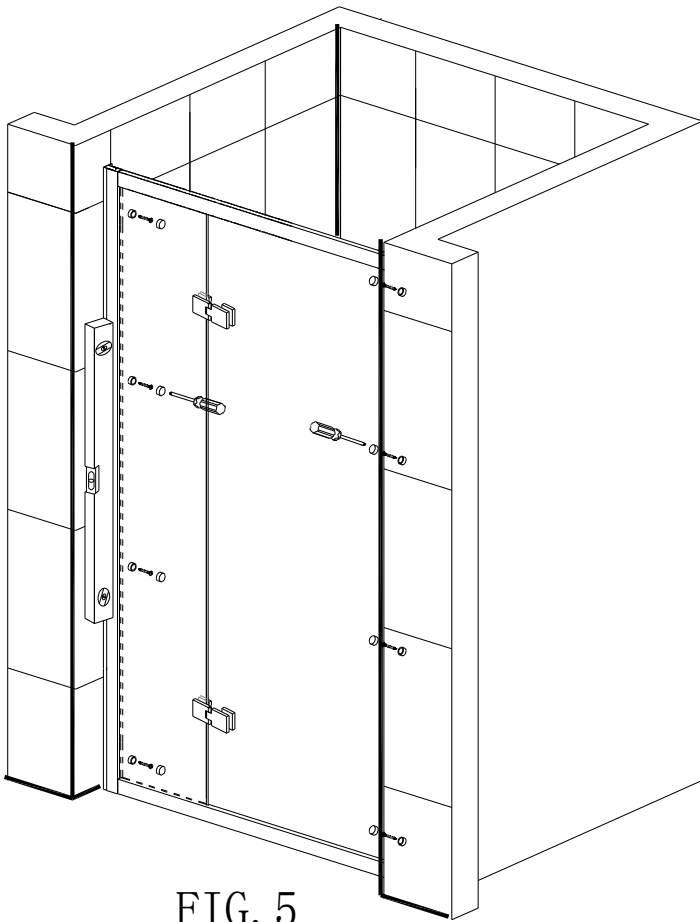


FIG. 5

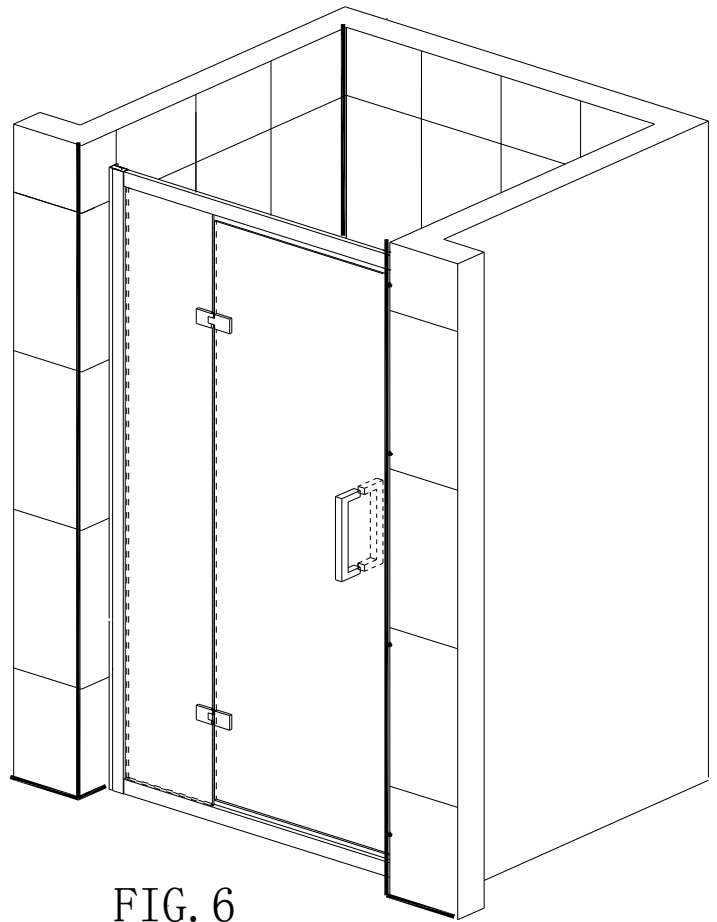


FIG. 6

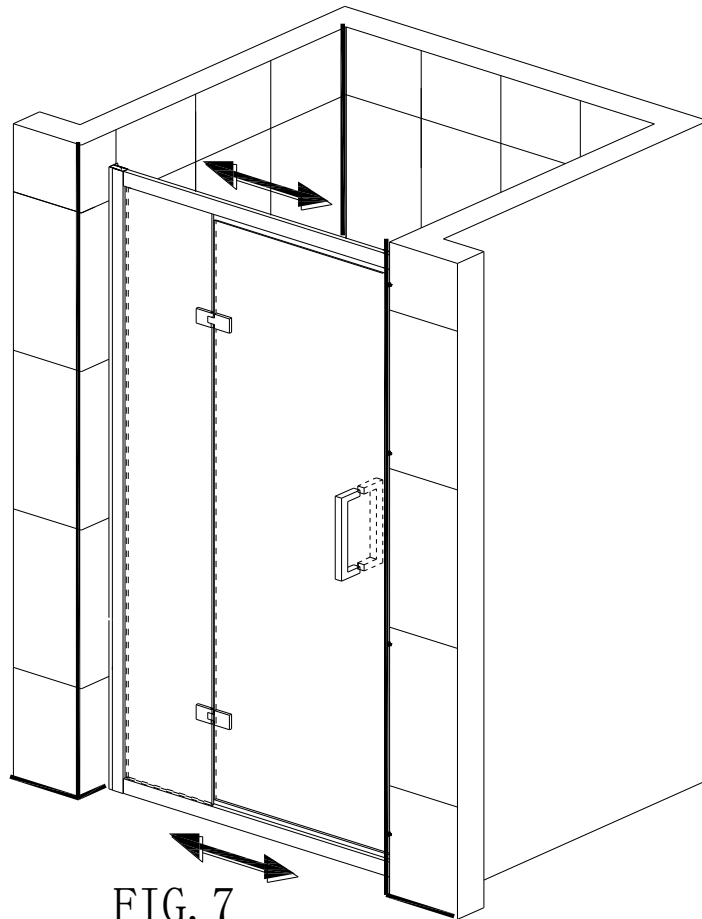


FIG. 7

Hole  $\varnothing 3.2$

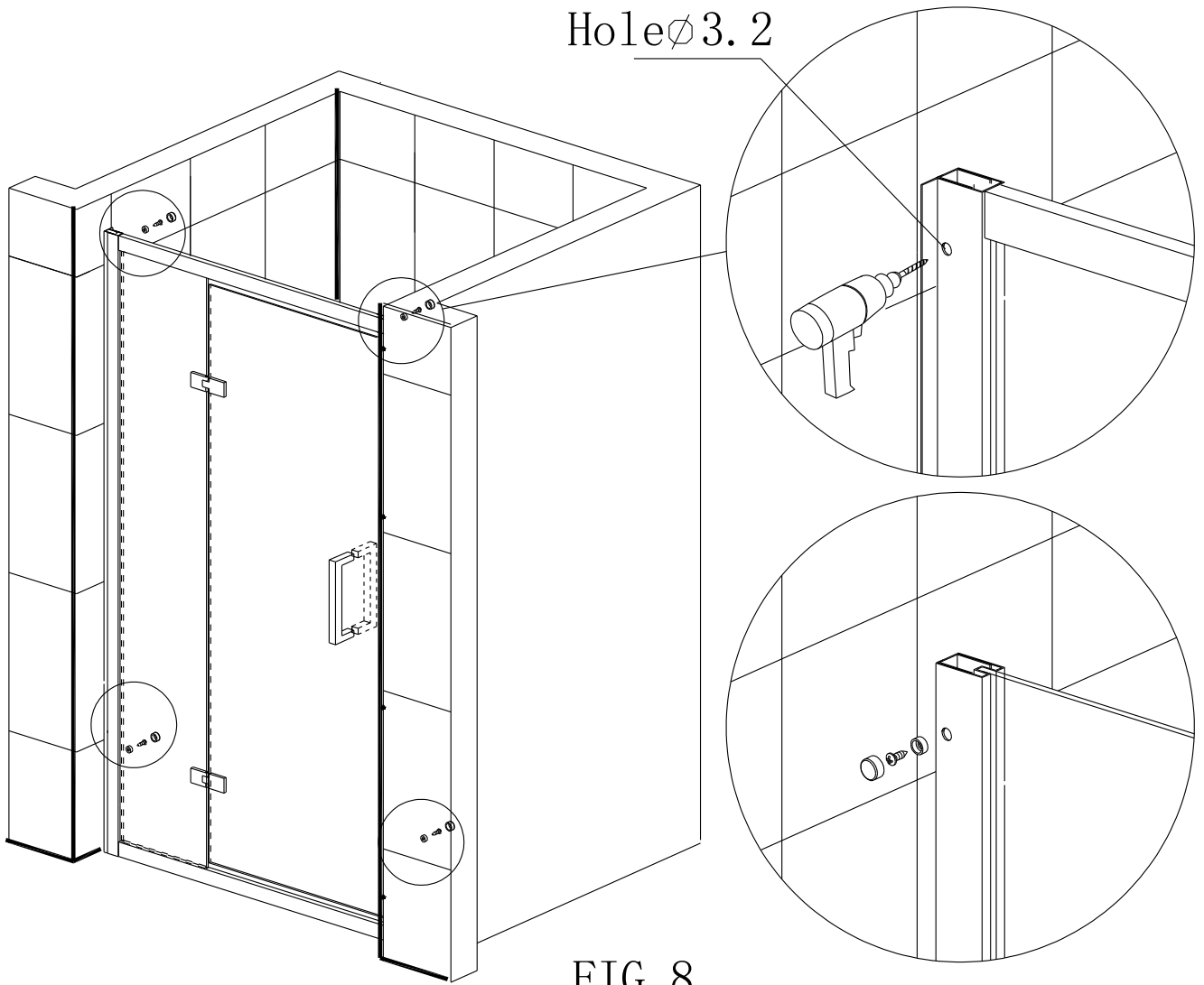


FIG. 8