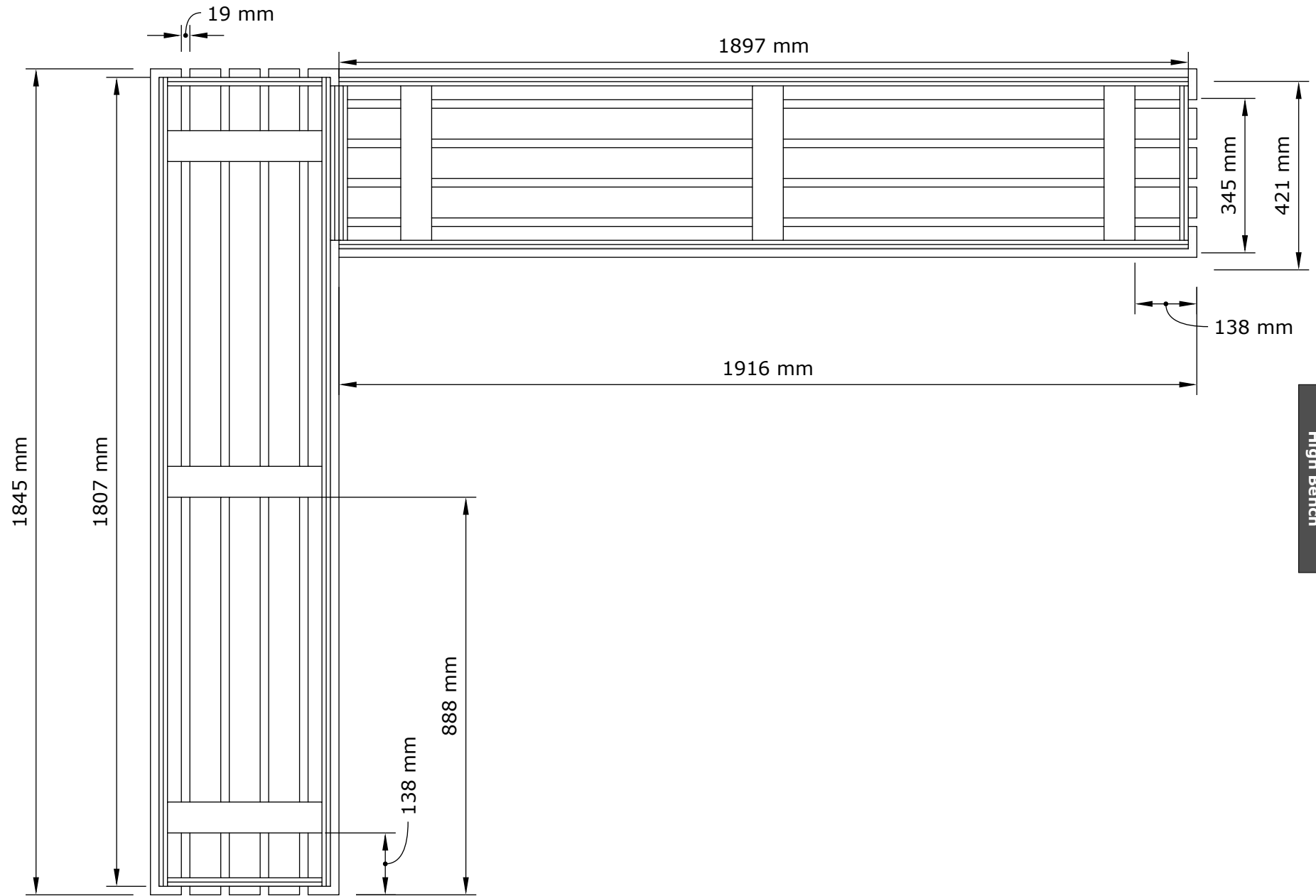
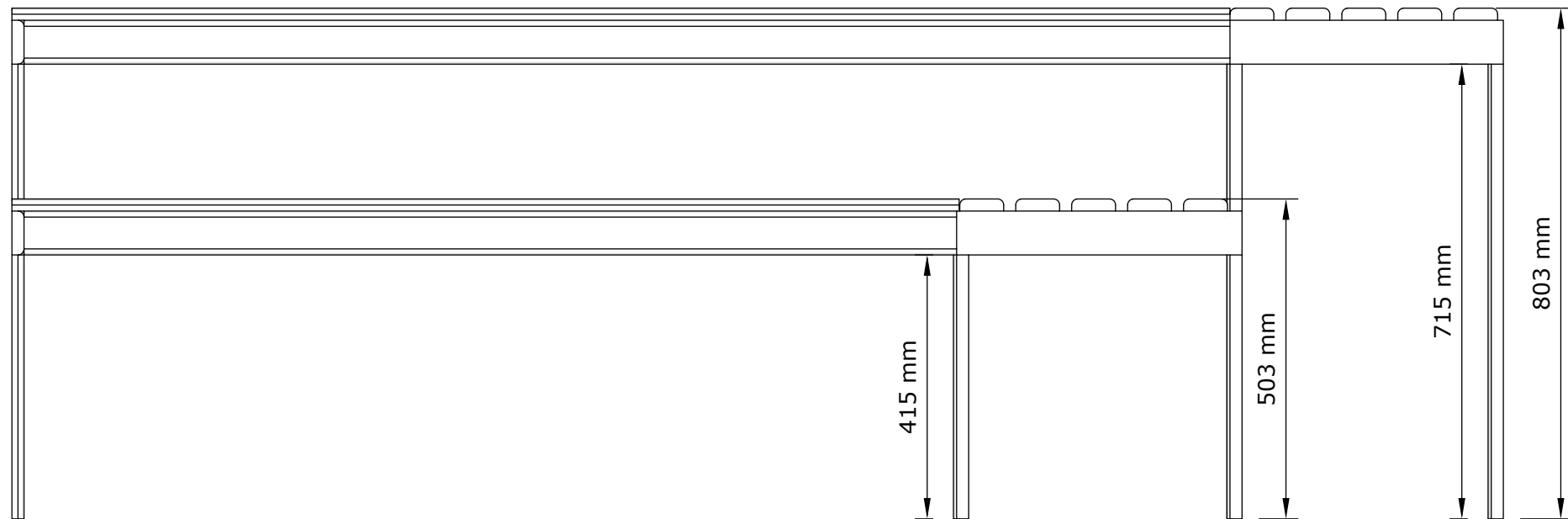
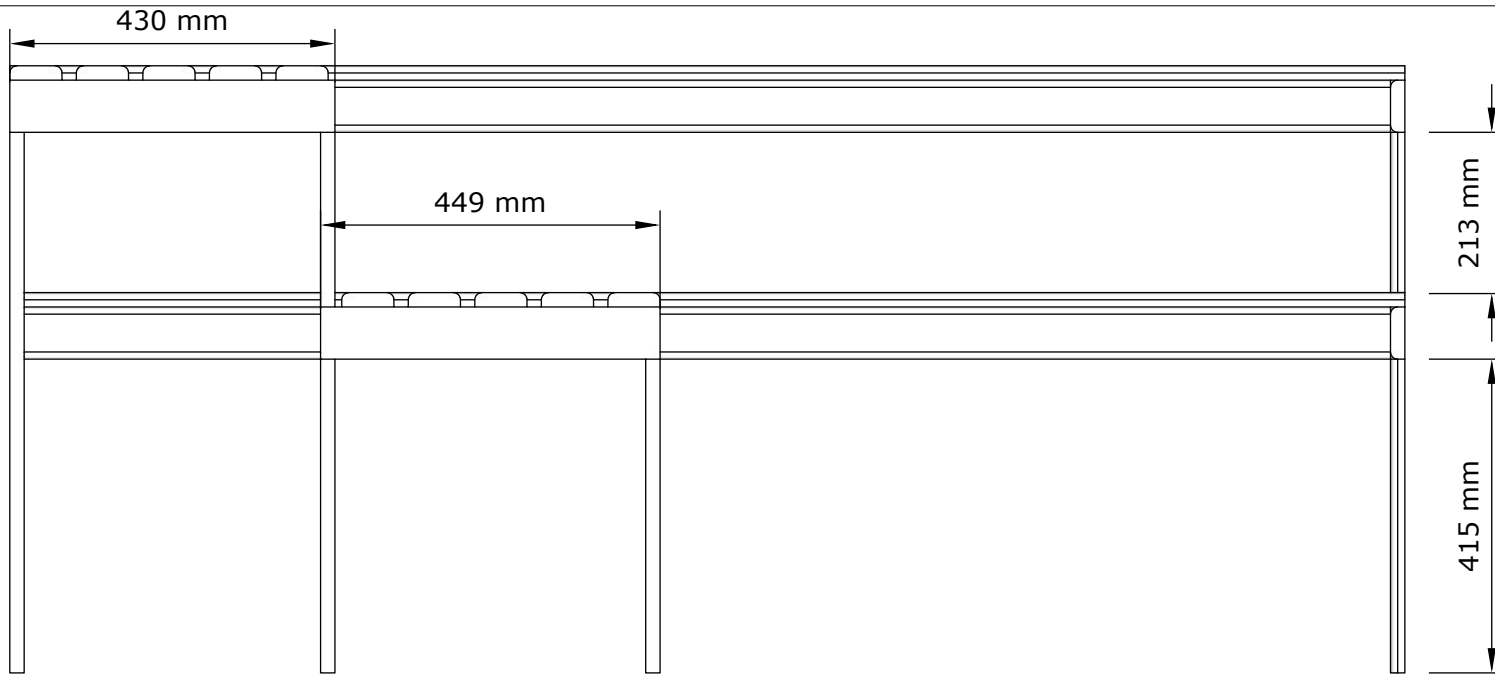


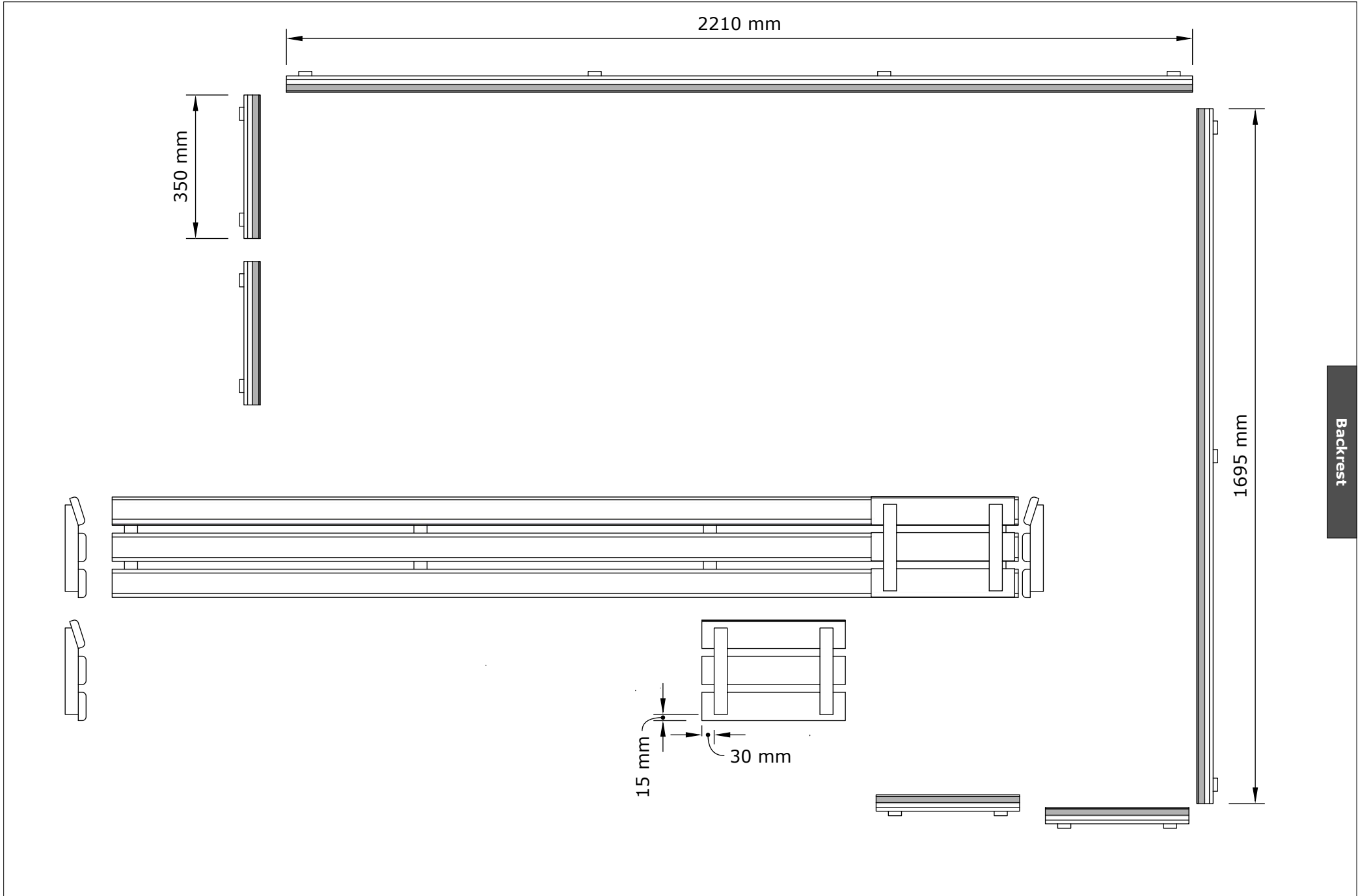
Scale 1:10 at A4



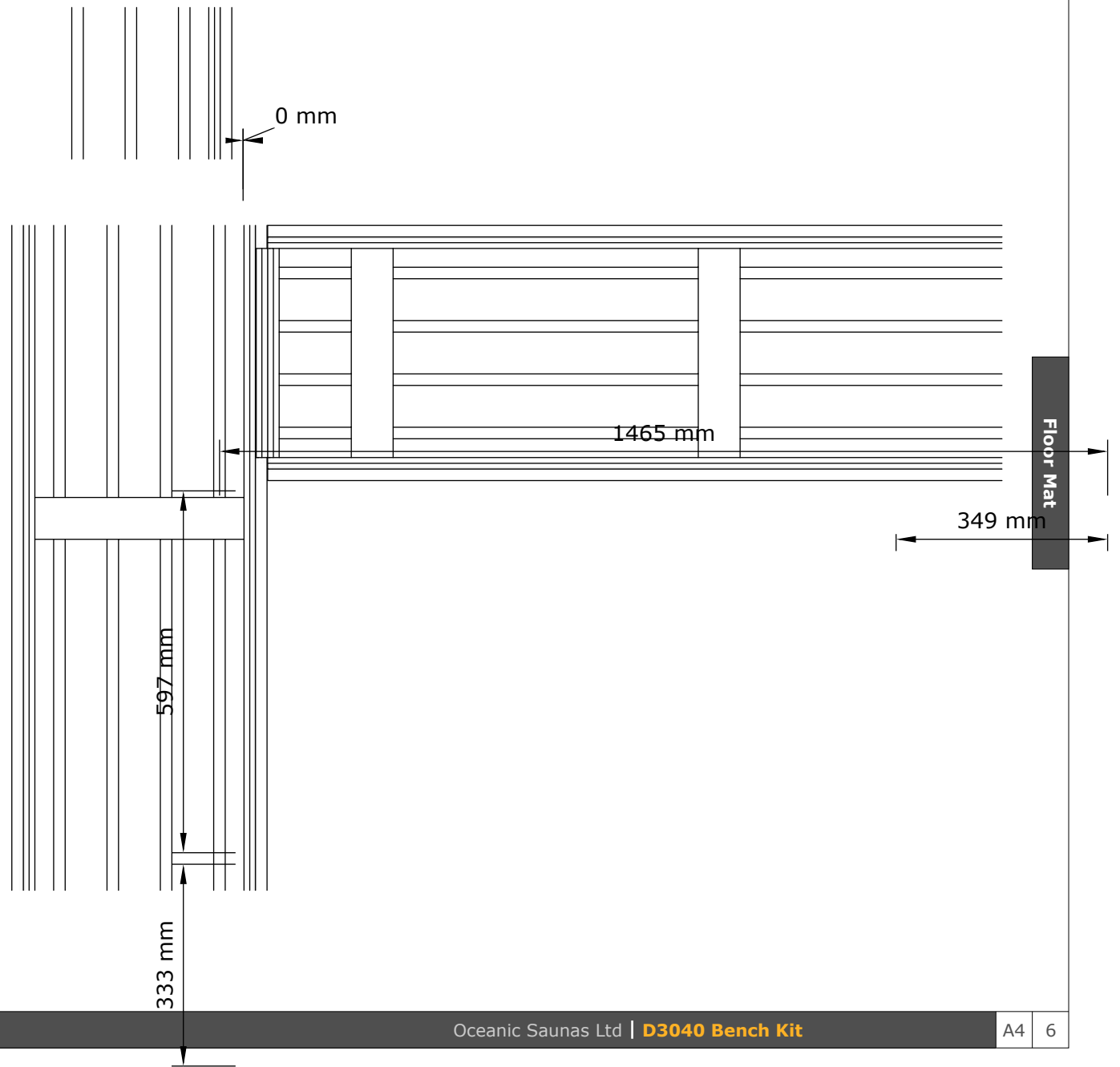
High Bench



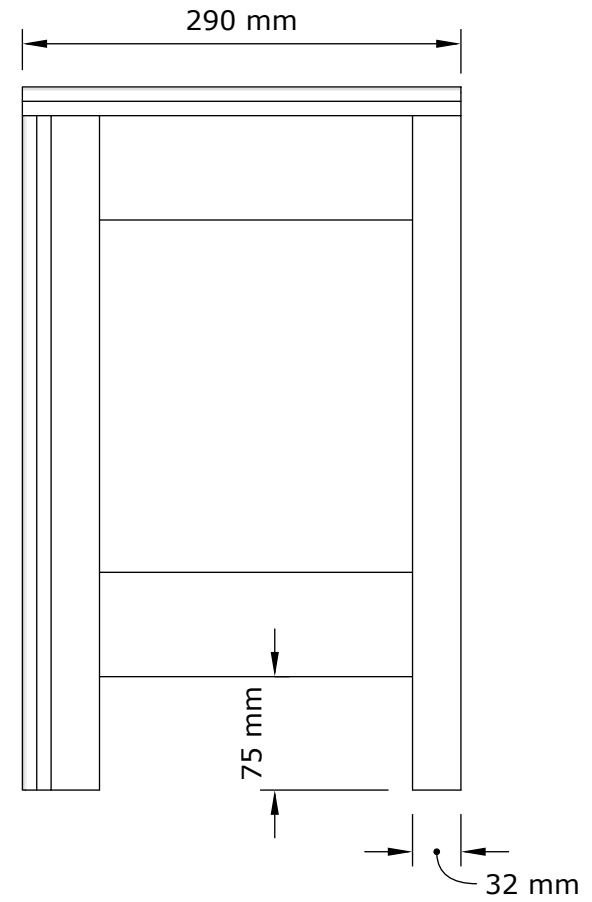
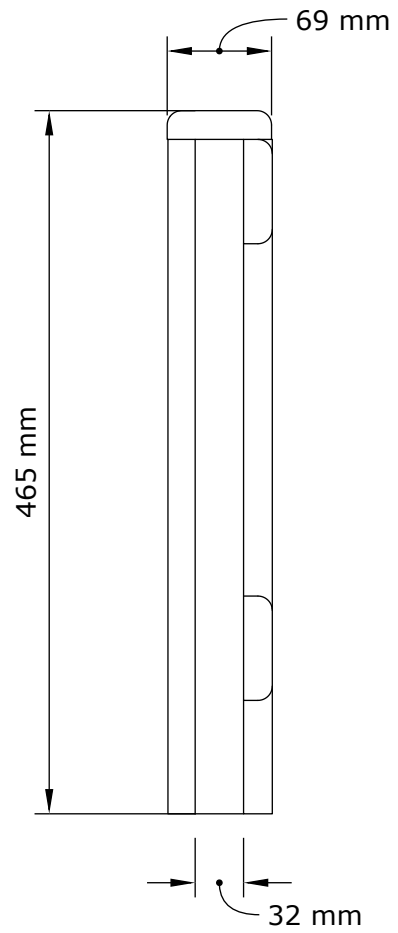
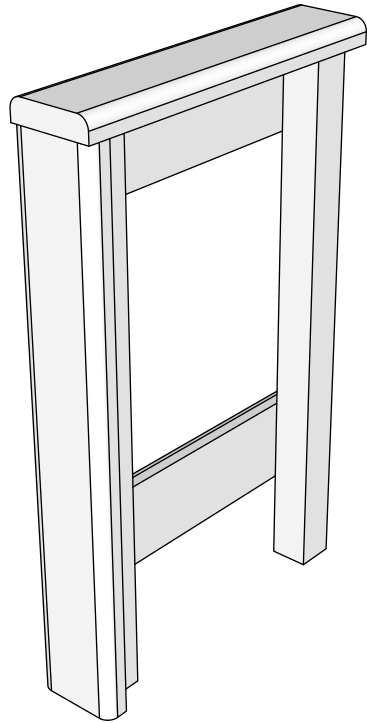
Bench Elevation



Backrest

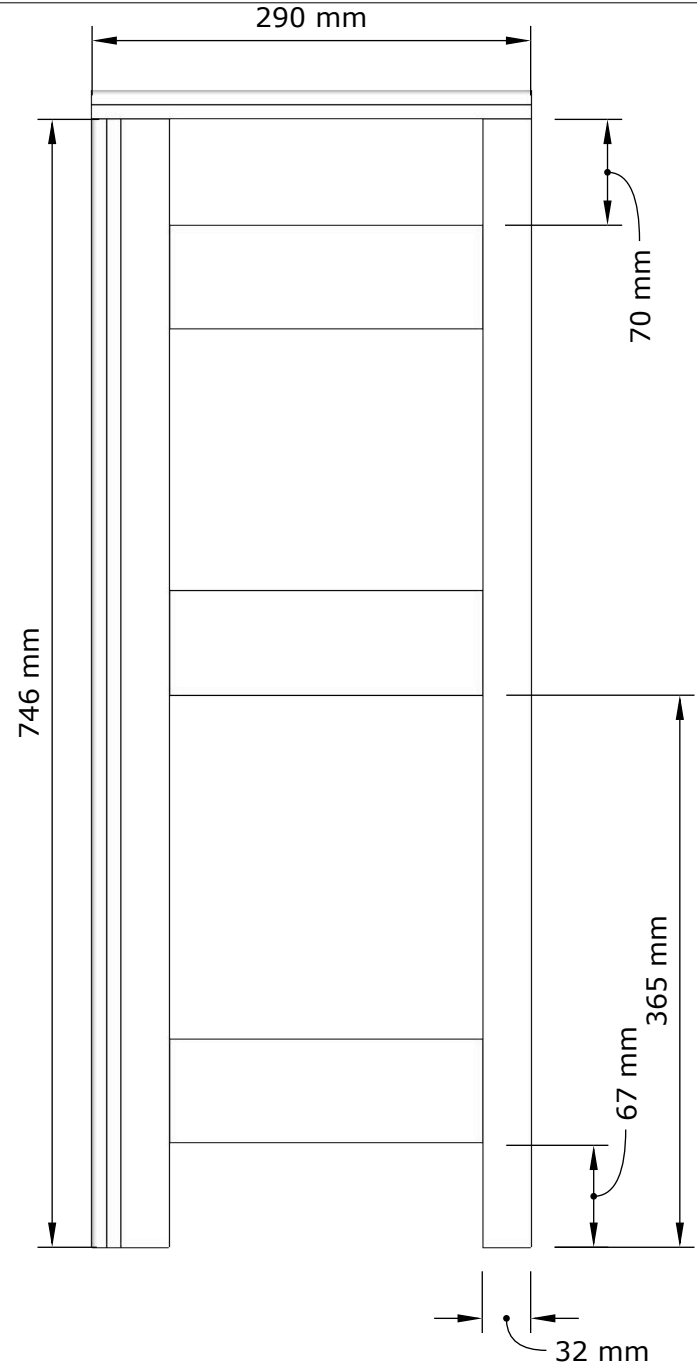
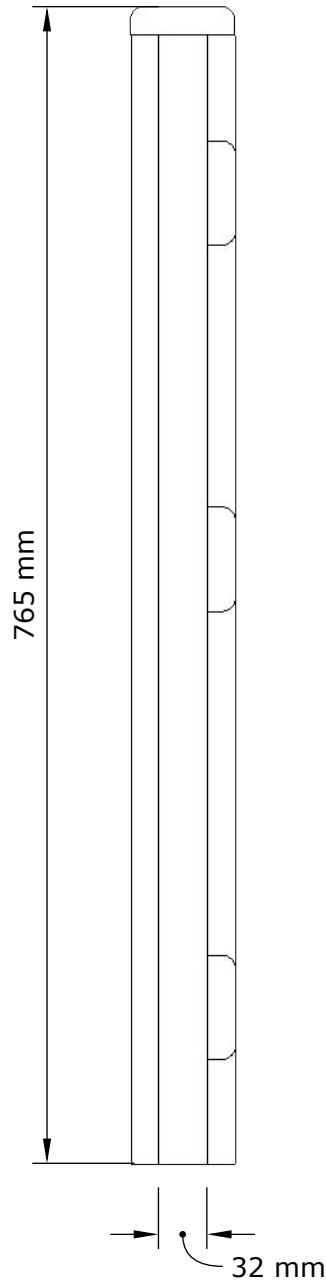
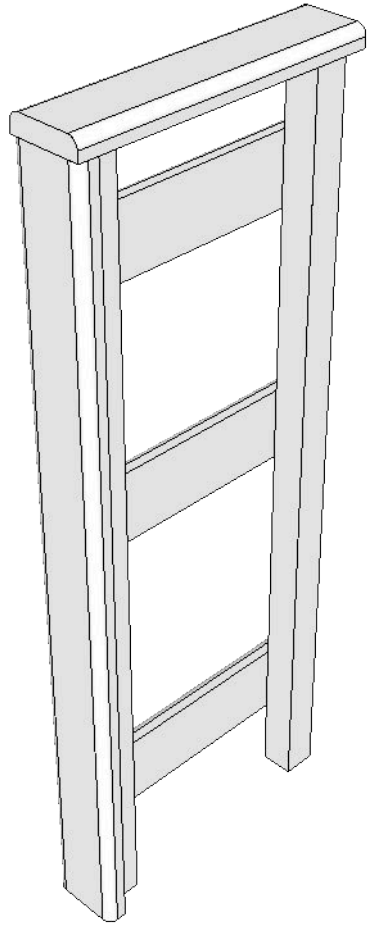


Scale 1:10 at A4



Low Bench Support

Scale 1:5 at A4



High Bench Support