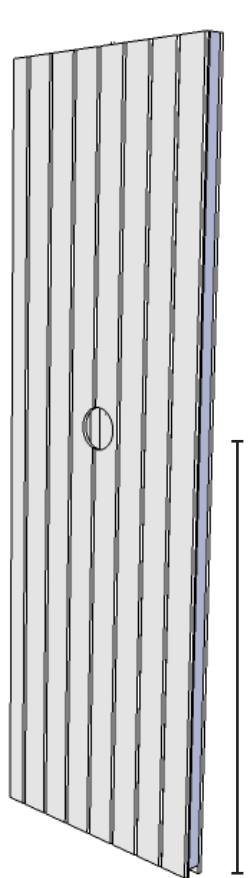
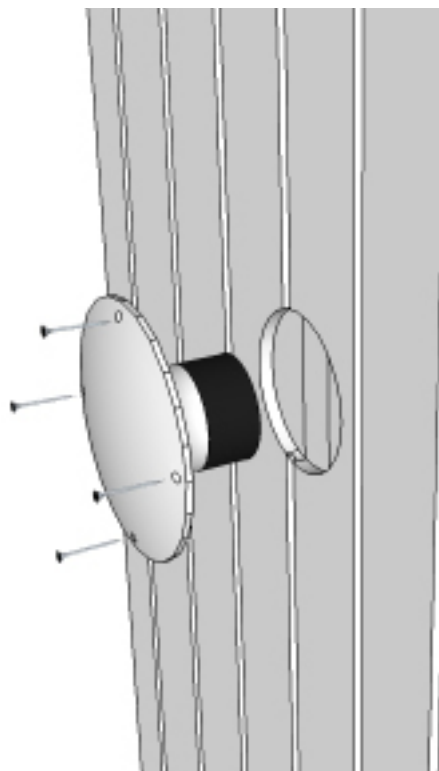


Sauna Accessory

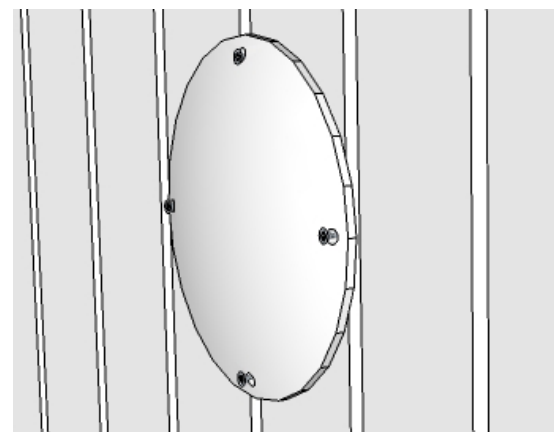
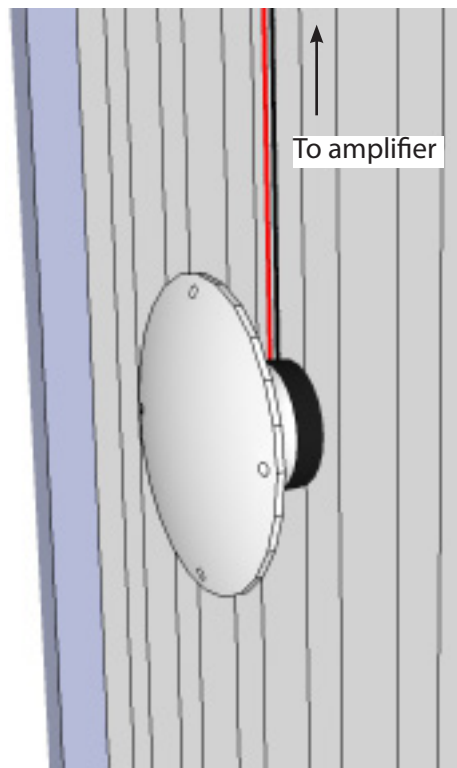
Speaker Installation



Step1.
Cut 112mm diameter hole in wall panel at a maximum height of 1000mm. Suggested location is beneath a bench.



Step2.
Prepare to insert the speaker unit ensuring the red and black speaker cables are attached and wired back to the amplifier



Step3.
Fix the speaker to the panel using the 4 screws provided