

Oceanic

Sauna & Steam

MINI STEAM GENERATOR

USER MANUAL



Thank you for choosing to buy our Mini steam generator please take the time to read this manual before you begin as it contains important information about the installation ,operation and maintenance requirements.

The mini steam generator is suitable for use in traditional and infra red sauna cabins to increase the humidity and enhance the sauna bath experience.

Safety precautions

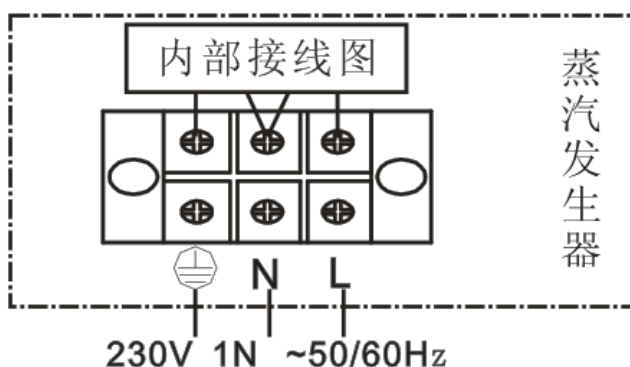
1. In order to use, install and maintain correctly, please read this manual clearly and keep it as a backup.
2. Make sure the right voltage - 210VAC~240VAC single phase
3. The equipment must be installed on the circuit that has circuit-breaker (RCD device)
4. The equipment must be installed upright
5. Only fill with water until the high level LED light (A) turns on, do not let the water overflow.
6. There are no user serviceable parts.
7. This equipment must be installed by competent person
8. If the overheat indicator LED light turns on, switch off the power supply and do not use again until the overheating problem has been resolved.
9. Danger of scalding – only use the mini steam generator at reduced sauna cabin temperatures
10. Position to the mini steam generator to prevent accidental contact during operation and to avoid direct contact with the steam rising from the generator during use.
11. This equipment is not for use by children – children under 16 must be supervised by a responsible adult

Chapter one: Specification and Parameter

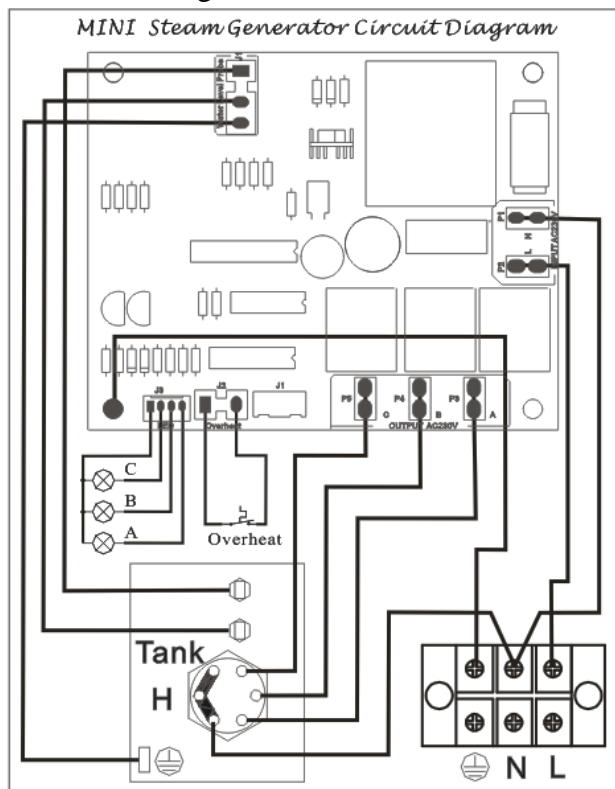
Model, parameter and size

Model	Electrical parameter							size length*width*height(mm)
	power (W)			voltage (VAC)	currency (A)			
	class 1	class 2	class 3		class 1	class	class	
OC-MINI-1	500	750	1000	210~240	2.1~2.3	3.2~3.6	4.2~4.8	220*100*340
OC-MINI-2	1000	1500	2000	210~240	4.2~4.6	6.4~7.2	8.4~9.6	220*100*340

Power supply connection

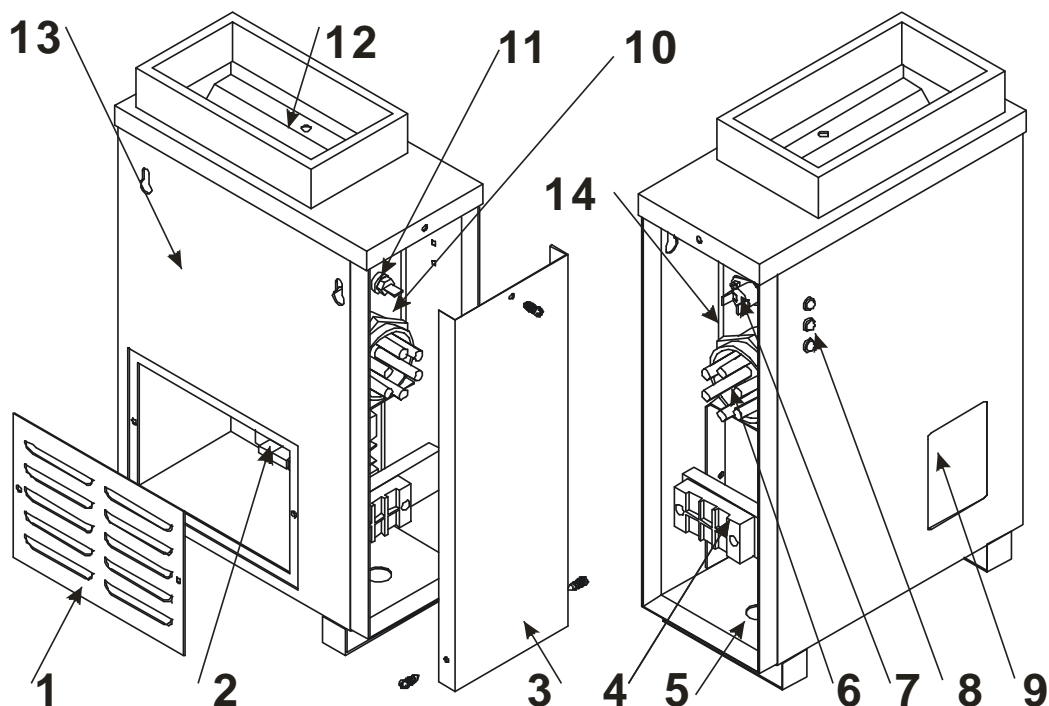


Inner circuit diagram



Chapter two: The frame and functions

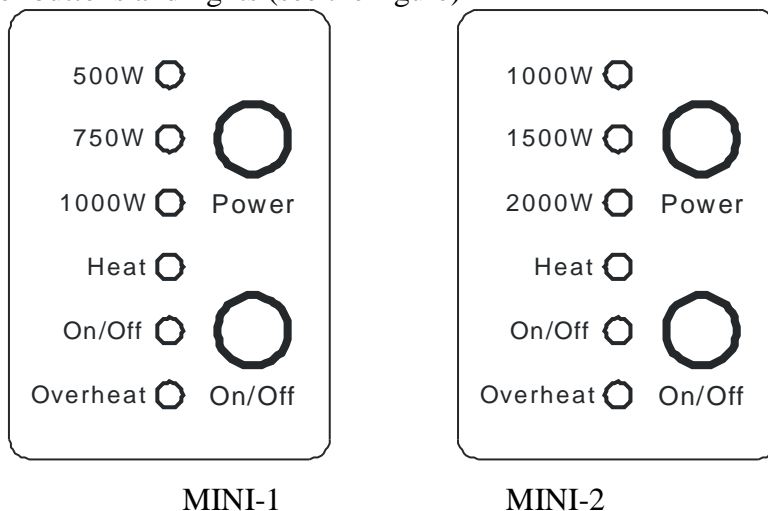
1.The frame of Mini steam generator (see picture)



1). The description of the parts (see the figure) .

No	Description	function
1	Back cover	
2	circuit board	Accept all kinds of signals, send control order to keep the system working well.
3	Side cover	Accept all kinds of signals, send control order to keep the system working well. and for convenience for maintenance
4	Terminal	Connect the power supply
5	Power entry	Entry for power supply wire
6	Heat element	Heating parts
7	Overheat switch	Protect the heat unit working in air when the system has faults
8	Water level indicator LED	Indicate water level status
9	Control panel	Operate mini steam generator
10	SUS tank	keep water and fix heat unit
11	Water level probe	Detect water level
12	Steam outlet and water inlet	
13	Shell	
14	Heat preservation cotton	

2) Description of buttons and lights (see the figure)



No.	Name	Function
1	On/Off key	Turn on or off the equipment
2	Power key	Adjust the power of the heat units
3	Indicator light 500W(1000W)	indicate the power of the equipment
4	Indicator light 750W(1500W)	indicate the power of the equipment
5	Indicator light 1000W(2000W)	indicate the power of the equipment
6	Heat light	Indicator for heating, the equipment is heating when it is on
7	ON/OFF light	Indicator light for on/off
8	Overheat light	Indicator for overheat , on means overheat, the equipment will stop working.
9	Indicator light A	Indicates the tank water level, on means the level is high enough, no need to fill more.
10	Indicator light B	indicate the tank water level, on means the level is normal working level.
11	Indicator light C	indicate the tank water level, on means the level is too low, the equipment stop working

Chapter Three: Installation and operation

Installation

1. The steam generator must be installed upright. Position to the mini steam generator to prevent accidental contact during operation and to avoid direct contact with the steam rising from the generator during use.
2. Connect the equipment to the power supply with a suitable cable

General Operation

The mini steam generator is designed to increase the humidity in the sauna cabin and can be used with both traditional and infra red sauna heaters; it also allows the use of aromatherapy water based oils which can add a further dimension to the enjoyment of the sauna bath – normally users will find their own level of comfort for temperature and humidity; we suggest all users start with a reduced cabin temperature when using the mini steamer remember hot air rises so the temperature and humidity may be much higher at the roof of cabin than on the lower benches.

Always start with the lower power settings and only increase the power when you are happy with the comfort level – higher power levels may only be suitable for larger cabins.

1. Carefully fill the boiler (for the first use this will be around 1200ml), press the On/Off button to turn on, both the power indicator and water level indicator lights will turn on as follows; light C is red water level is too low to operate, light B is green add water light C is orange water level is at full – stop filling – do not over fill.
2. The heat light will turn on 5 seconds after the B light turns on (green). That means the equipment is under heating situation.
3. The power of this equipment can be adjust among three levels by the “Power ” key. The power level will keep the same with last time when you turns on the equipment by On/Off key. But the power will return to the lowest level if the power is cut off and be connected again (The default power is the lowest level).
4. When the indicator light B begins to flash, the equipment will alternate between on and off as well as the indicator light “Heat”, that means the water level is too low and you should fill water into the equipment (about 350ml).
5. Aromatherapy – concentrated water based oils may be dropped onto the V shaped top plate of the boiler to evaporate on contact with the steam.
6. After use we recommend all air vents and the sauna cabin door left completely open for a period to allow all extra humidity to disperse and avoid condensation.

Maintenance periodically check the boiler for build up of deposits such as lime-scale and if necessary uninstall and de-scale using a solution of mild acid such as citric acid crystals.

Warranty this product is guaranteed for a period of 12 months from the date of purchase – excluding consumable parts such as light bulbs and heating elements.