

Oceanic

Sauna & Steam

STAUNA CONTROLLER

Assembly and operating manual

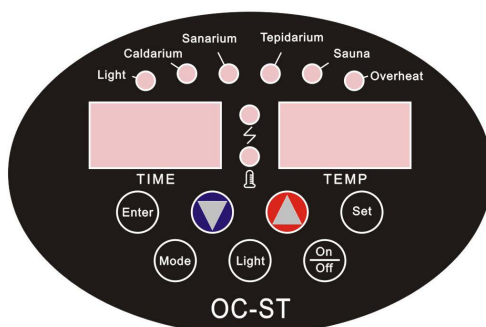


Table of contents

1. Introduction 3

2. Important Notes 3

3. Safety Precautions 3

4. General Setup Overview 5

5. Installing the Sauna Heater 6

5.1. Sauna Heater Unit Parameters 6

5.2. Sauna Heater Parts Description. 7

5.3. Sauna Heater Circuit Diagram. 7

5.4. Sauna Heater Installation 7

5.5. Minimum Clearances 8

6. Temperature Sensor 8

7. Mini Steam Generator 9

7.1. Safety Precautions 9

7.2. Parameters. 9

7.3. Mini Steam Generator Circuit Diagram 9

7.4. Parts Description. 10

7.5. Installation. 10

7.6. Minimum clearance diagram 11

7.7. Mini Steam Generator Water Filling Details 11

8. Stauna Control Box 12

8.1. Stauna Control Box Parts Description 12

8.2. Stauna Control Parameters 12

8.3. Stauna Control Circuit Diagram 13

8.4. Stauna control box circuit diagram 14

8.5. Operation 15

8.6. Recommended bathing times 15

9. Guarantee 15

1. Introduction

Thank you for choosing to buy our Oceanic Stauna Controller please take the time to read these instructions before you begin as they contain important information about the installation and maintenance requirements.

2. Important Notes

- Read the manual before installation and operation.
- This Equipment must be installed by a competent person.
- This equipment must be connected to an all pole isolator
- Disconnect the power supply before exposing electrical connections.

3. Safety Precautions

- Elderly persons, pregnant women, or these suffering heart disease, high blood pressure, diabetes or not in good health are advised to seek medical opinion before using a steam room.
- Do not smoke in the steam room.
- Avoid using the steam room immediately after strenuous exercise.
- Do not use the steam room when under the influence of alcohol.
- Leave the steam room at once if you feel sleepy, sick or uncomfortable.
- Ensure there is good ventilation for the steam room.
- We do not recommend that children under 16 use this product.
- Commercial operators should post a notice of these precautions in a prominent position.
- This appliance is not intended for use by persons (including children) with reduced physical, sensory or mental capabilities or lack of experience and knowledge unless supervised by a person responsible for their safety.
- Always follow the user times set out in these instructions.

Steam emitted from the steam generator will be scalding hot; ensure the generator is located in the correct position away from where users will sit and/or provide adequate guarding, post a notice to caution users.

The Oceanic Stauna Controller is designed to combine the use of the Oceanic wall mounted Sauna Heater and Mini Steam Generator to create a variety of humidity/temperature environments, these environments can be seen described on the next page in the chart and illustration.

The controller achieves these different humidity/temperature environments by changing the amount of power supplied to the Sauna Heater or Steam Generator.

Both are controlled to vary the level of:

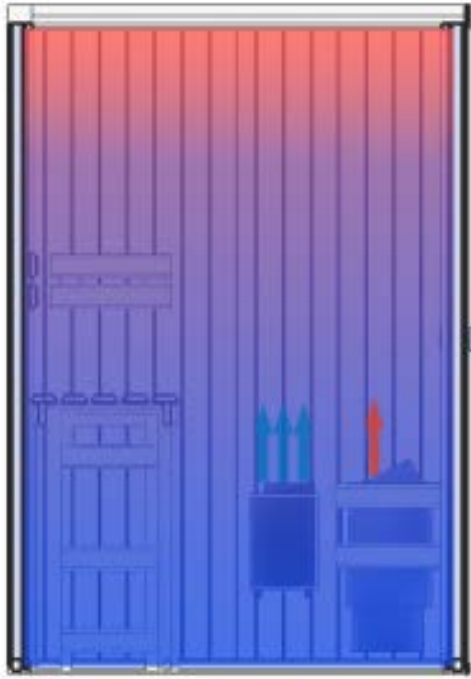
Temperature (minimum to maximum) and,

Humidity (Percentage of time the steam generator is working)

Note: The higher the steam output the lower the maximum temperature you are able to set. The reason for this being that the more water-moisture-humidity in the air, the more contact the heat

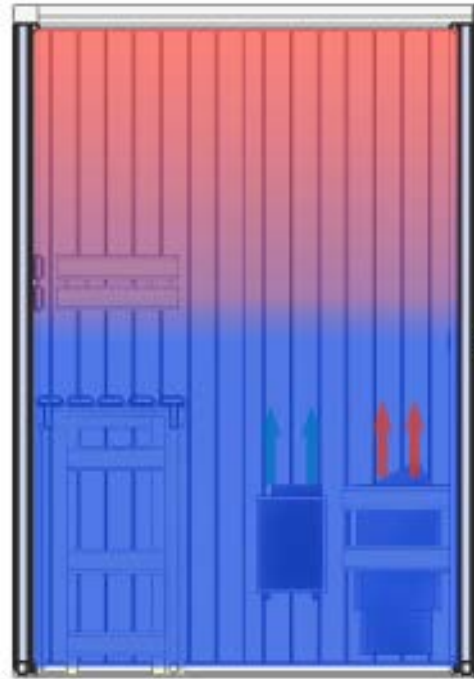
Caldarium

Low Heat - High Steam
Max Temp 48°C - 50-60% humidity



Saunarium

Medium Heat - Medium Steam
Max Temp 56°C - 40-50% humidity



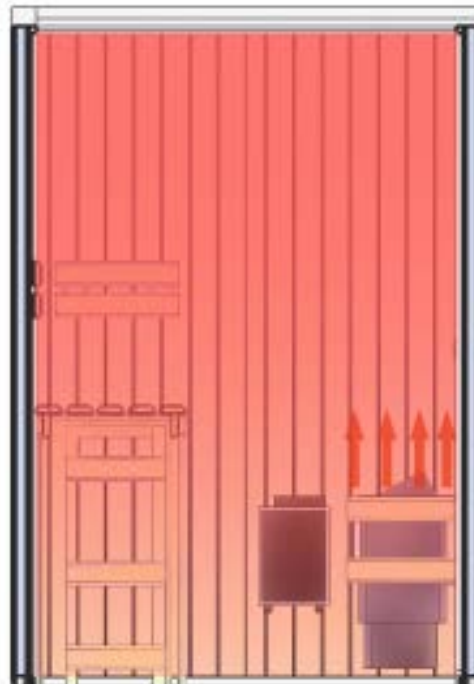
Tepidarium

High Heat - Low Steam
Max Temp 65°C - 30-40% humidity



Sauna

Very High Heat - No Steam
Max Temp 100°C



Stauna Manual

has to your skin. For example a Sauna can be used at 100°C as the humidity is only approximately 5%, in a Steam room where you have 100% humidity it is uncomfortable to increase the temperature past 45°C. Our illustration on the next page should help you to understand the modes.

4.5kW Stauna

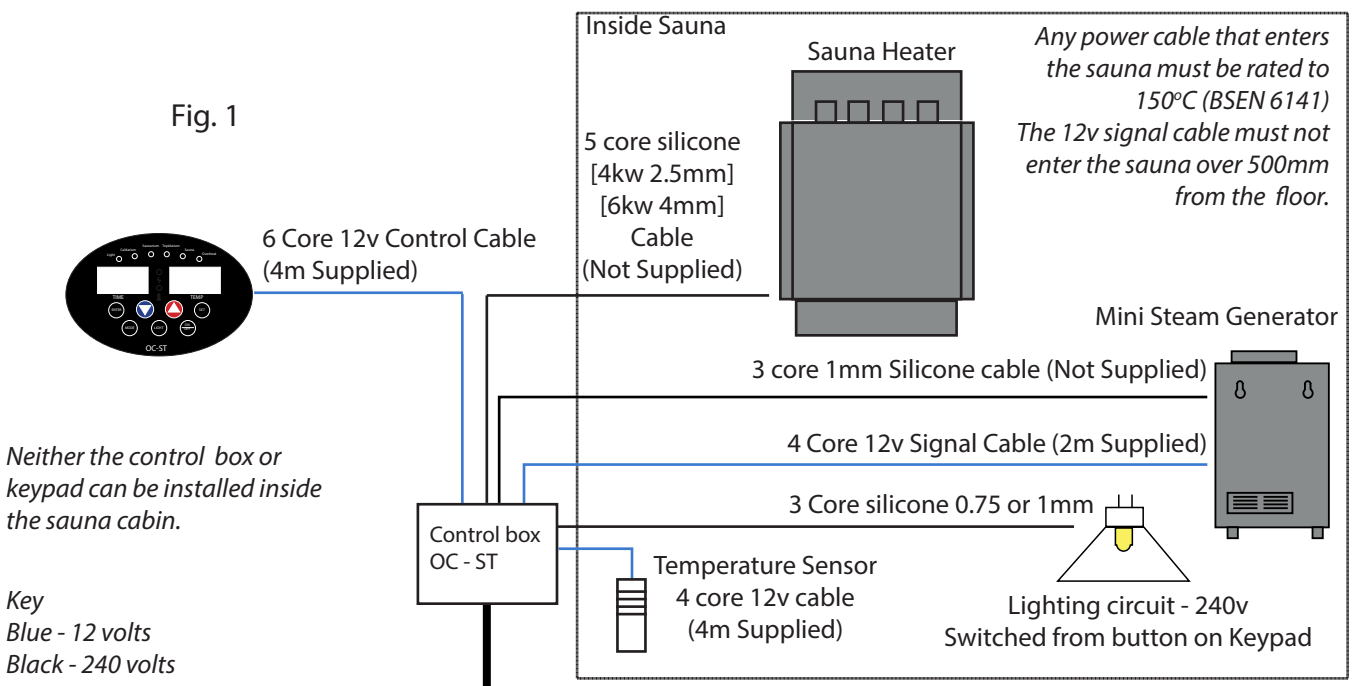
Mode	Heater Power (kW)	Mini Steam Power (kW)	Max Temp (oC)	Total Power (kW)	Steamer Operation (%)
Sauna	4.5	0	100	4.5	0
Tepidarium	3	1	65	4.5	80
Sanarium	3	1	56	4.5	90
Caldarium	3	1	48	4.5	100

6kW Stauna

Mode	Heater Power (kW)	Mini Steam Power (kW)	Max Temp (oC)	Total Power (kW)	Steamer Operation (%)
Sauna	6	0	100	6	0
Tepidarium	4	1	65	5	80
Sanarium	4	1	56	5	90
Caldarium	4	1	48	5	100

4. General Setup Overview

According to the valid regulations, the electrical connection of the steam generator and the control box has to be carried out by an authorised electrician. In case of a warranty claim, you are kindly requested to present a copy of the invoice from the electrician.



Mains in 230v 1N or 400v 3N

Stauna Manual

Important Notice: Please pay close attention to the drawing Fig. 1 below. The mains power is solely supplied to the OC-ST control and is diverted from here to the heater and steam generator . You must not wire directly from the mains to either the sauna heater or mini steam generator.

5. Installing the Sauna Heater

- i. Confirm the model you have selected is suitable for your sauna room, please refer to the table below.
- ii. Ensure the power supply is suitable for the sauna heater, refer to the table below.
- iii. The installation position must comply with the minimum distance in the table below and in the diagrams on the following pages.
- iv. The minimum height of your sauna room must be 1900mm, please refer fig 3c
- v. Do not install the sauna heater on the floor or in a cabinet
- vi. Do not cover the sauna heater back with asbestos cement or similar material
- vii. The wires which enter the sauna room must be rated to 150°C- type 60245 IEC 66 HO7RN-F (BSEN 6141) please refer to table below. (The signal cable between control box and mini steam generator does not need to be changed to the silicone cable as long as it does not enter the cabin higher than 500mm from the floor.)
- viii. Do not install two or more sauna heaters in one sauna room.
- ix. The sauna heater becomes very hot when operating and must be guarded to protect incase of accidental contact, please see the sizes in fig 3d and also refer to charts below.
- x. The upper supporting screws must be fixed tightly, there is a 3mm gap between the screw head and wall (refer fig 3a, fig 3b), additional retaining screws should be inserted into the round holes to prevent the heater being lifted.
- xi. Temperature sensors should be installed in sauna room but not directly above sauna heater, the height must be a minimum of 1800mm from floor. The horizontal distance to sauna heater must exceed 500mm.
- xii. Wash the rocks thoroughly before filling the basket. Discard any with veins running through or any rocks smaller than 50x50mm.
- xiii. Fill the rocks loosely around the elements, try to use the larger rocks between the elements and use the smaller ones for the top.
- xiv. To prolong the life of your sauna you can use a heat proof board behind and above the heater to prevent charring, for commercial cases this should be more seriously considered.

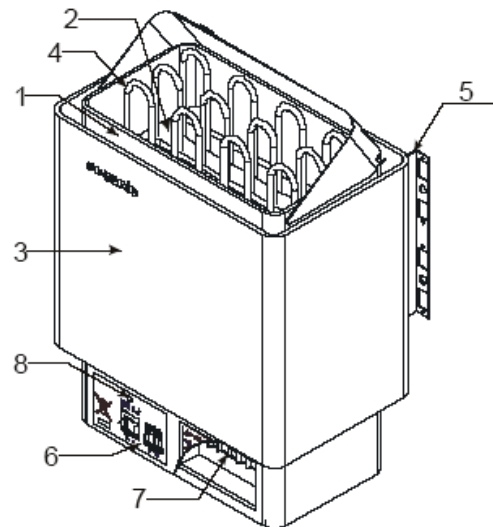
5.1. Sauna Heater Unit Parameters

Sauna Heater Dimensions 410 x 280 x H570mm

Model	Sauna Room		Min height	Clearance Distances (mm)			Current (A)		Fuse (A)	
	Volume (m ³)			Distance to shelf over 500mm	Ceiling	Floor	230V 1N~	400V 3N~	230v 1N~	400V 3N~
	Min	Max								
OCS45	4	6	1900	80	1100	180	19.5	6.5	25	10
OCS60	5	8	1900	150	1100	180	27	9	32	16

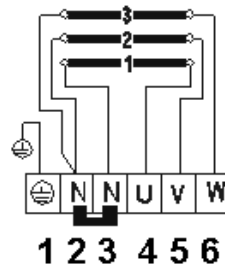
5.2. Sauna Heater Parts Description

No.	Parts
1	Inner shell
2	Stone bracket
3	Shell
4	Heat element
5	Fix bracket
6	Cover Panel
7	Terminal



5.3. Sauna Heater Circuit Diagram

OC45~OC60 Circuit diagram



5.4. Sauna Heater Installation

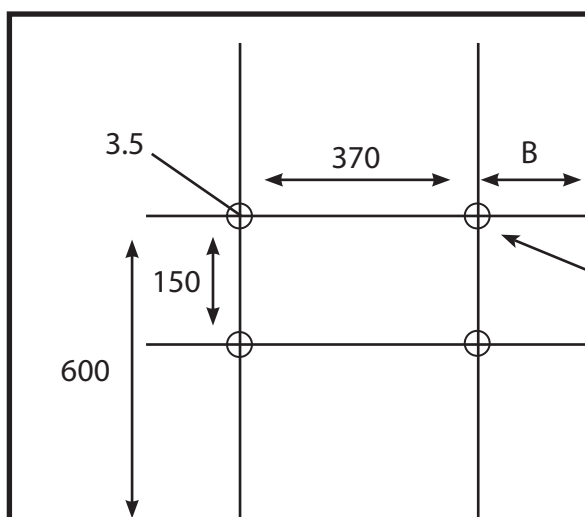


Fig. 3a

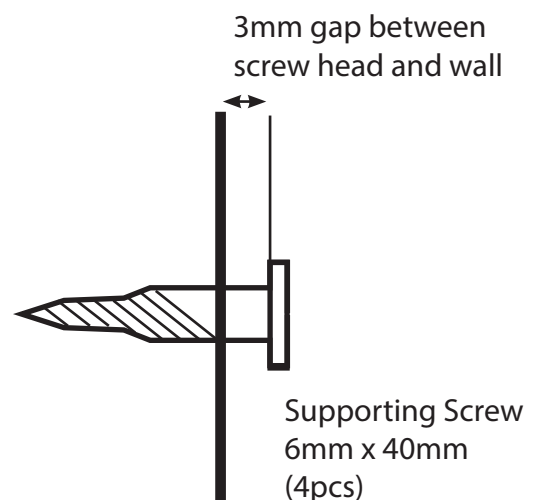


Fig. 3b

Note: Securing screws must be fixed through the top holes of the fixing brackets and prevent the heater being lifted off

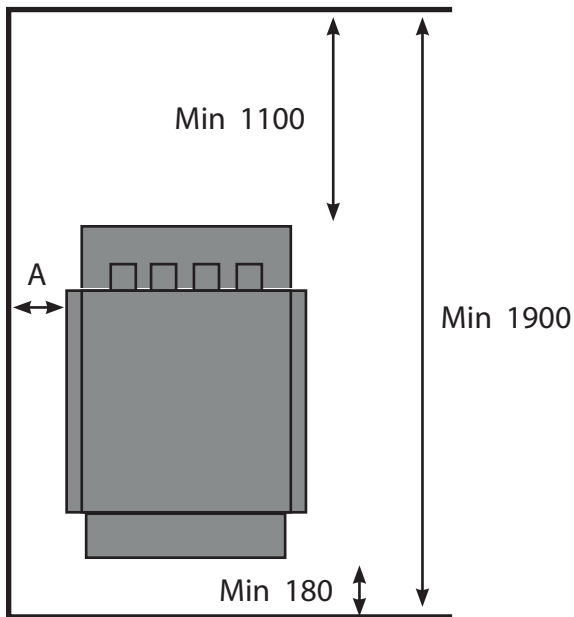


Fig. 3c

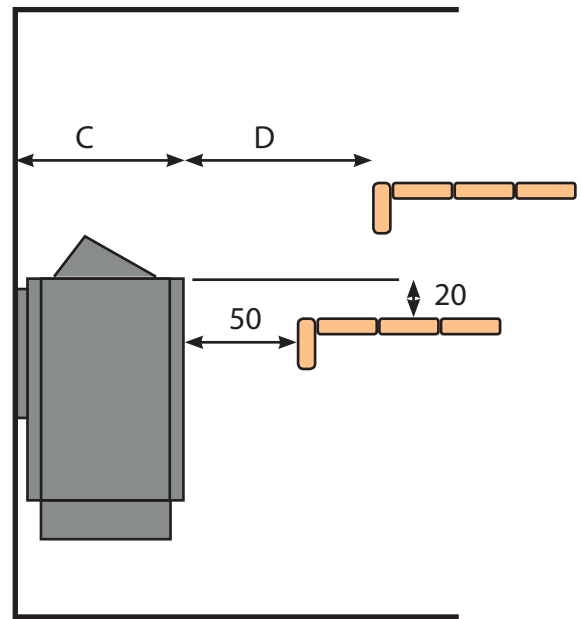


Fig. 3d

All sizes in mm

5.5. Minimum Clearances

Model	Minimum Distance (mm)			
	A	B	C	D
OCS45	80	100	280	100
OCS60	100	120	280	150

6. Temperature Sensor

- i. Install the temperature sensor as in the Fig. 4
- ii. Open the cover with a screwdriver as in Fig. 5
- iii. Fix the bottom of the temperature sensor on to wall with screw
- iv. Replace the cover.

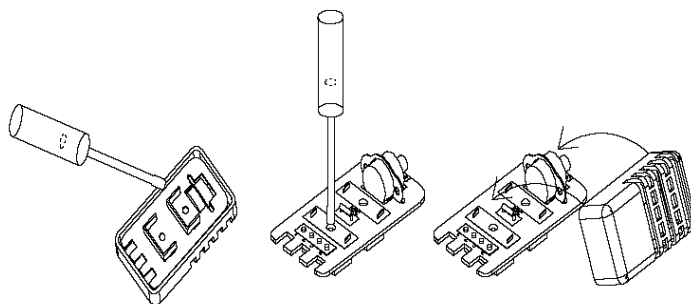
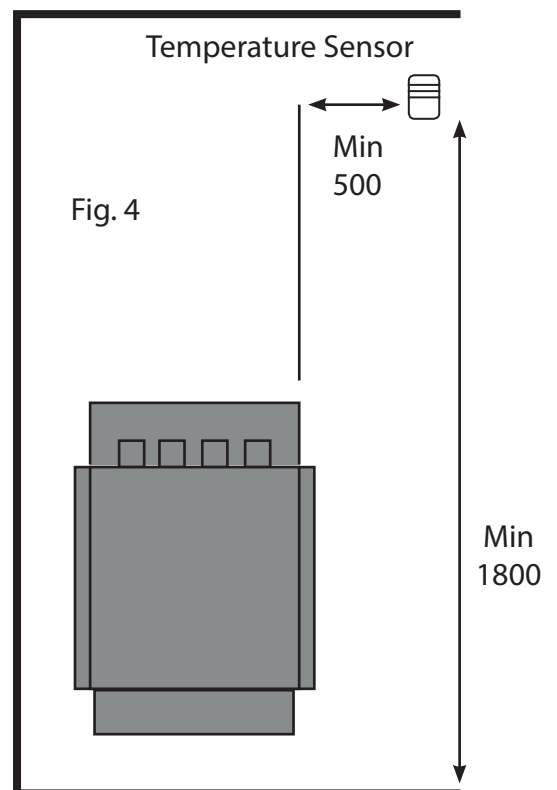


Fig. 5



7. Mini Steam Generator

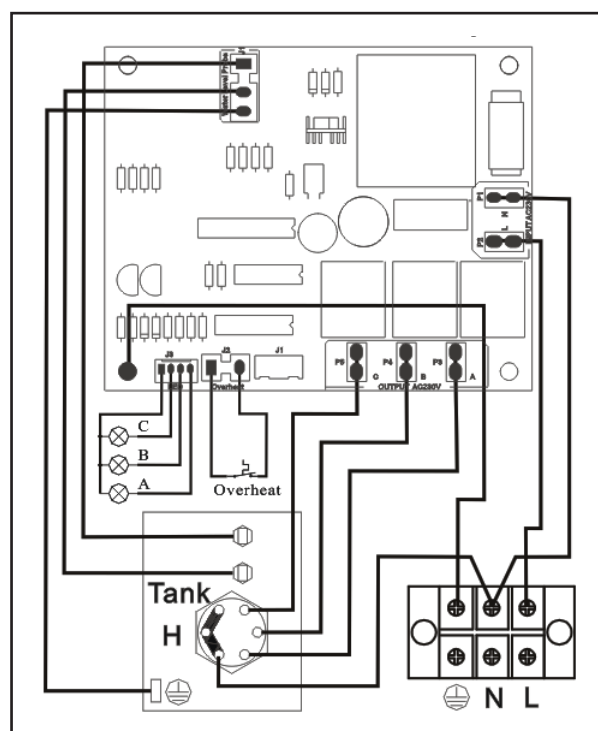
7.1. Safety Precautions

- i. The equipment must be installed vertically
- ii. Stop pouring water into the boiler when the high level LED light (A) turns on. Don't let the water reach the holes in the top cover. You can release water using the valve at the bottom.
- iii. If overheat indicator LED light turns on, cut off the power supply and do not do not turn back on until the problem has been resolved. If in doubt please contact our technical team.

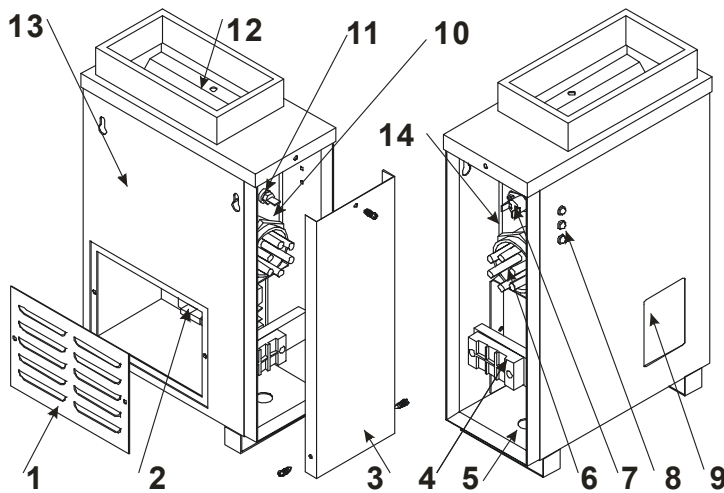
7.2. Parameters

Model	Power (KW)			Voltage (V)	Current (A)			Dimensions LxWxH (mm)
	Class 1	Class 2	Class 3		Class 1	Class 2	Class 3	
OC-Mini-1	500	750	1000	210-240	2.1-2.3	3.2-3.6	4.2-4.8	220 x 100 x 340

7.3. Mini Steam Generator Circuit Diagram



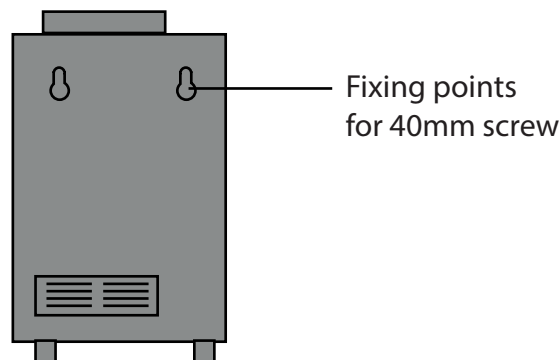
7.4. Parts Description



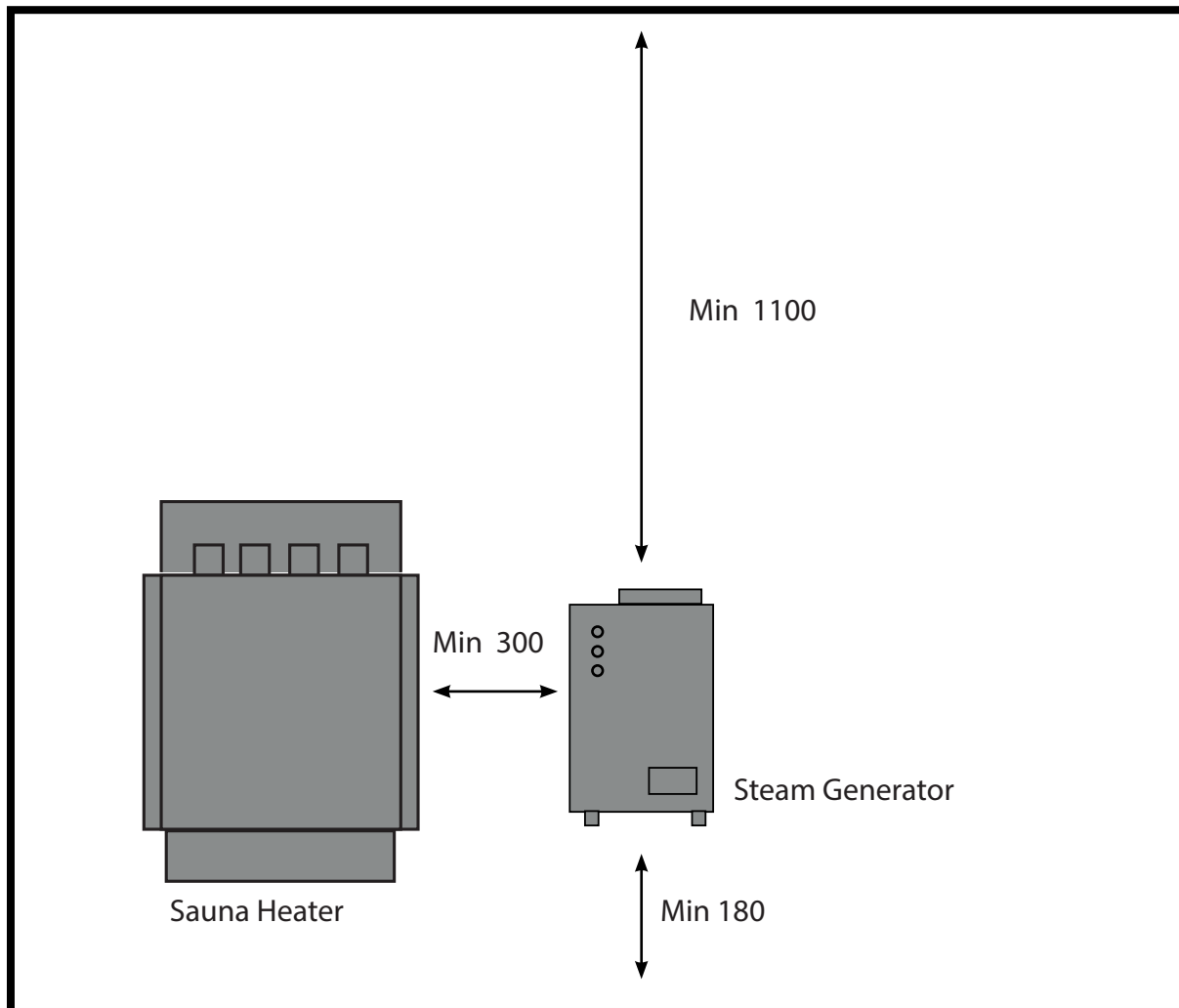
No	Description
1	Back cover
2	Circuit board
3	Side cover
4	Terminal
5	Power entry
6	Heat element
7	Overheat switch
8	Water level indicator LED
9	Control panel
10	SUS tank
11	Water level probe
12	Steam outlet and water inlet
13	Shell
14	Heat preservation cotton

7.5. Installation

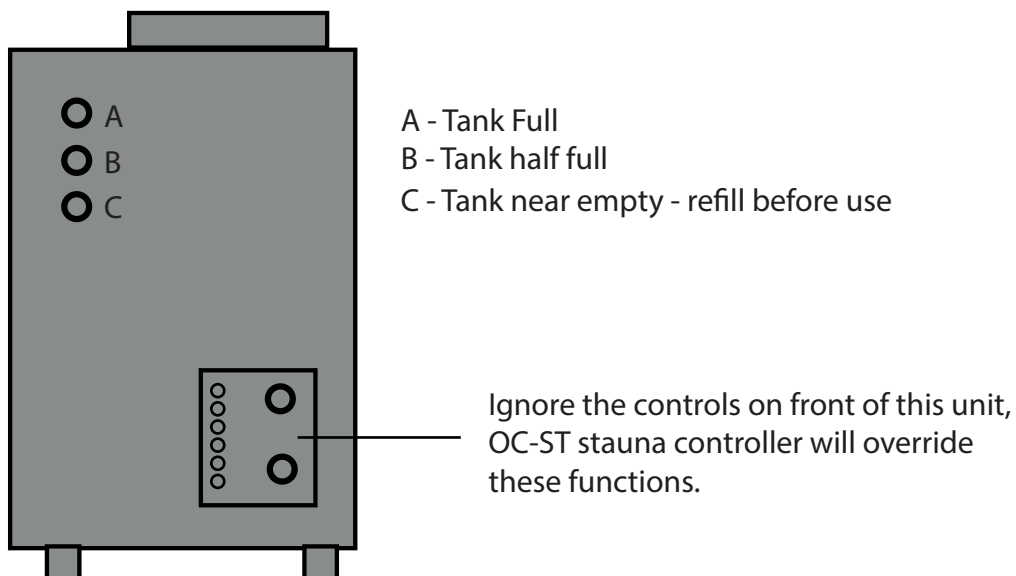
- i. Position the steam generator adjacent to the sauna heater on the wall of the cabin as shown in the diagram on the next page.
- ii. Fix to cabin wall using 40mm Screws and the locating fixing points on the back of the generator.
- iii. Securing screws must be fixed through a hole in the brackets at the bottom rear to prevent the unit being lifted off.
- iv. Connect the steam generator to the stauna control box (see pages 4, 9, 13)



7.6. Minimum clearance diagram

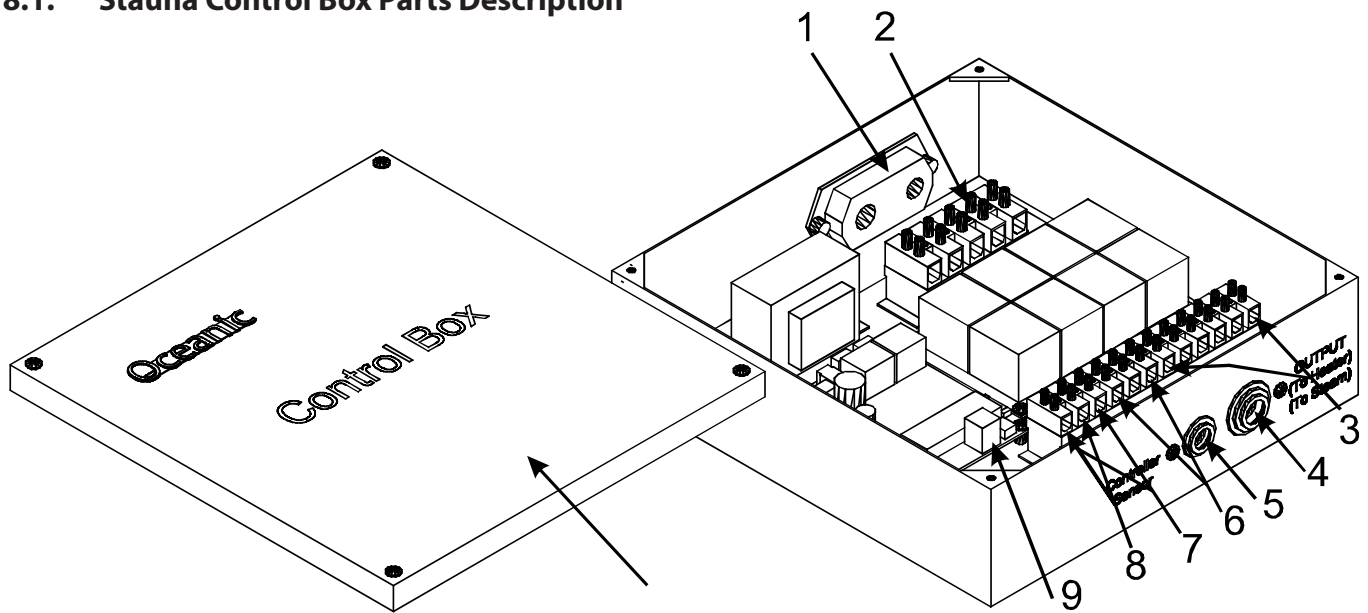


7.7. Mini Steam Generator Water Filling Details



8. Stauna Control Box

8.1. Stauna Control Box Parts Description



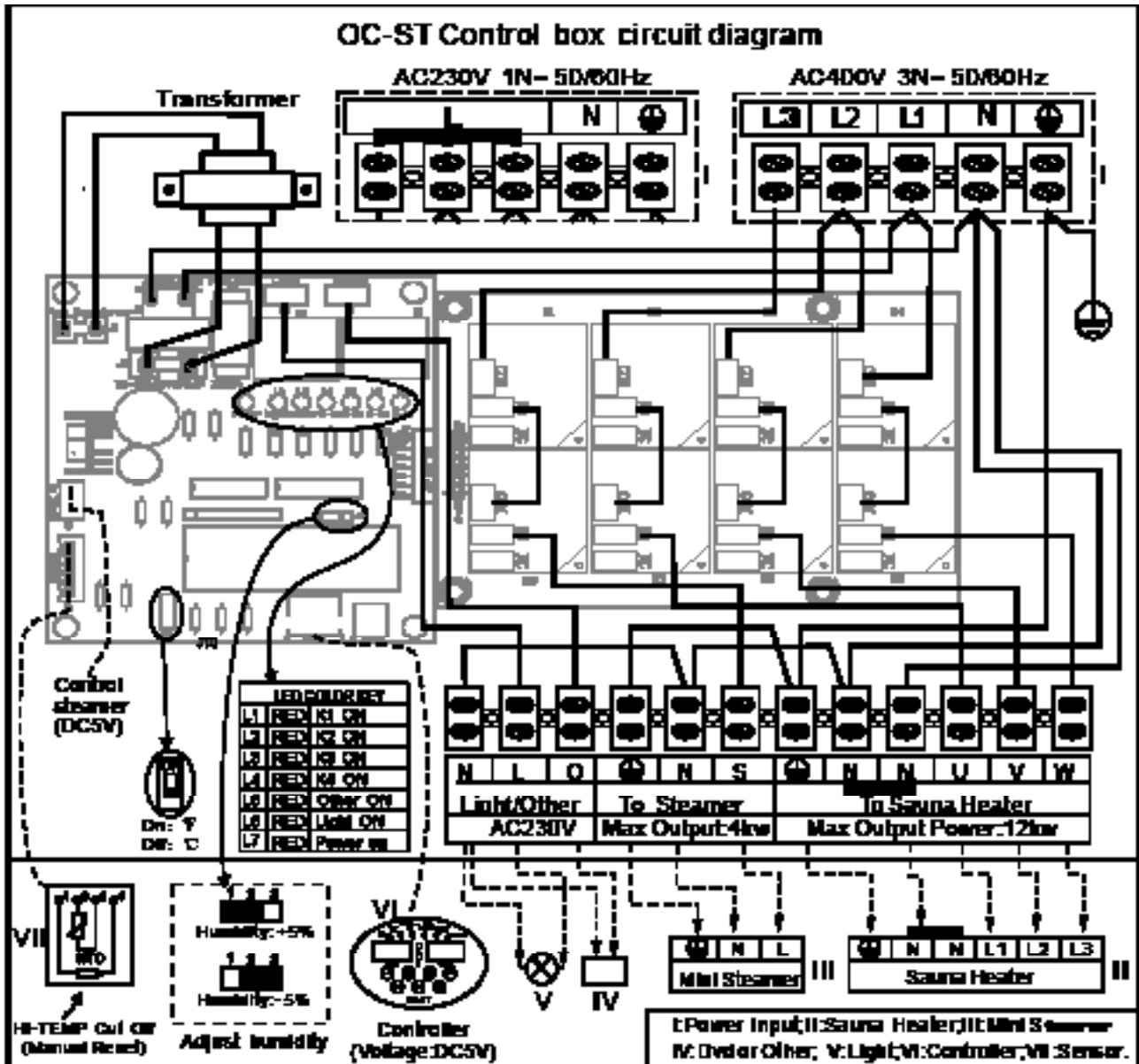
1	Wire anchorage
2	Terminal block
3	To Sauna Heater
4	To sauna heater wire anchorage
5	Control cable anchorage
6	To mini steam generator
7	For spare usage
8	Lamp

8.2. Stauna Control Parameters

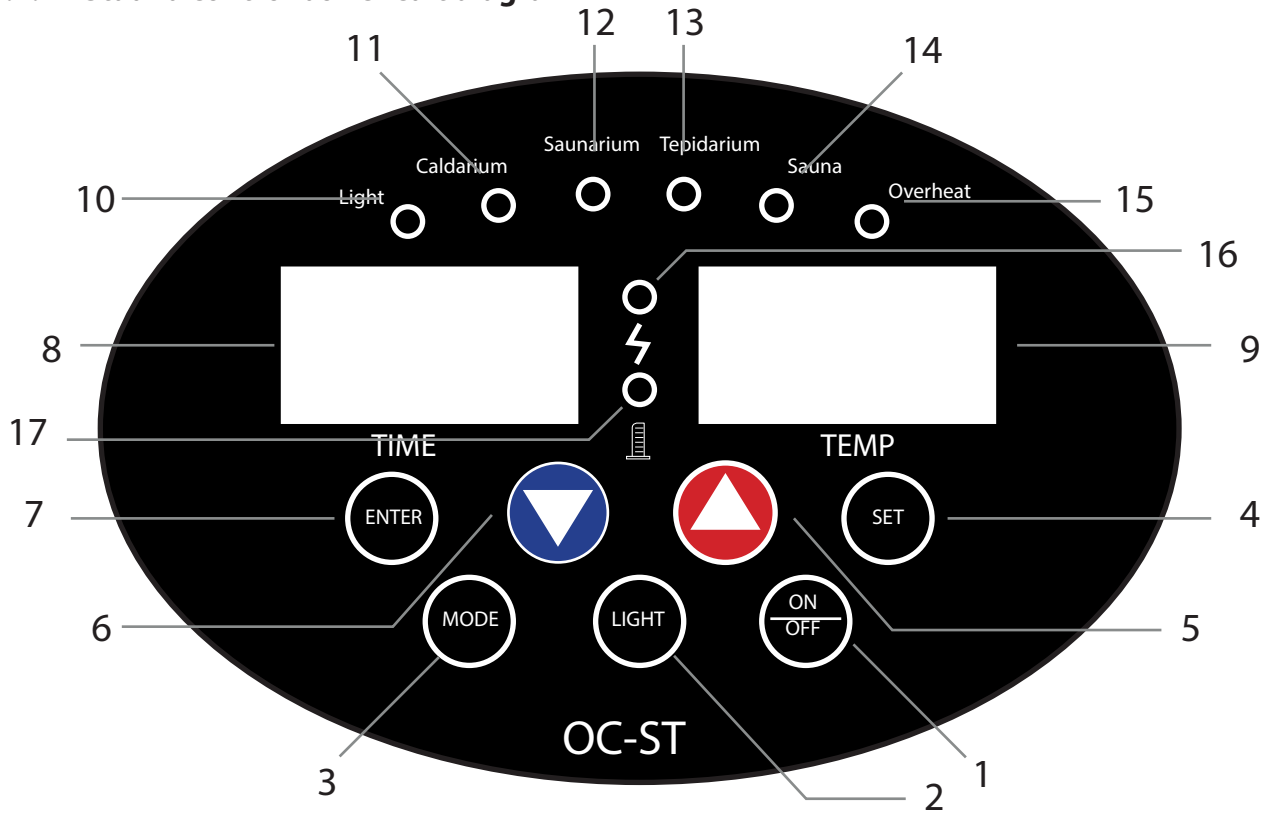
Model	Working Time (m)	Temperature (°C)	Dimension L x W x H (mm)	Remarks
OC-ST	15-240	30 - 60 °C	150 x 92 x 22	When the time window displays "Long" the generator will operate continuously until it is switched off.

8.3. Stauna Control Circuit Diagram

This diagram can be found on the back of the control panel's cover.



8.4. Stauna control box circuit diagram



No	Part	Description
1	On/off	Push to turn the equipment on or off
2	Light	Push to turn on the light in the room.
3	MODE	Push to change mode
4	Set	Preset time and temperature - (you must press enter to save settings)
5	∧	Increase button
6	∨	Decrease button
7	/ °C/F / ENTER	Change from centigrade to Fahrenheit / Enter to save settings
8	Time display window	Display the work time of the steam generator
9	Temp display window	Display the detected temperature of steam room
10	Light	Indicator LED for the light in steam room
11	Caldarium	Indicated the Caldarium setting has been selected
12	Saunarium	Indicated the Saunarium setting has been selected
13	Tepidarium	Indicated the Tepidarium setting has been selected
14	Sauna	Indicated the Sauna setting has been selected
15	Overheat	Indicator LED for overheat - turn machine off and wait for 1 hour before switching back on, if problem persists contact the seller.
16	L7	Indicates the detected temperature is lower than the preset temperature and sauna heater is heating.
17	L8	Indicates the detected temperature is higher than the preset temperature and the sauna heater is idling.

Stauna Manual

8.5. Operation

- i. The buttons on the front of the mini steam generator should be ignored as the stauna control will power the generator when it is necessary.
- ii. Push On/Off to switch on the system.
- iii. The Stauna Controller has 4 different heat settings which can be selected by pushing the 'MODE' button, an LED will indicate which mode ("atmosphere") you have chosen. Each press moves the LED one position from left to right. These "atmospheres" are explained on pages 4 and 5)
- iv. Within each Atmosphere you are able to set temperature within the specified range. Once in the correct Mode Push 'SET' until the numbers in the temperature window are flashing. Use the Up and Down arrow buttons to select the required temperature. Once correct press Enter to confirm the temperature.
- v. The length of time for which the session will last can be set by pushing the Set button until the numbers in the time window are flashing. Change the value with the Up and Down buttons. Push Enter to confirm selection.
- vi. Before using the room fill the mini steam generator until the A light illuminates and then stop. If you overfill, drain away some of the water before operating the controller as water will boil and spit out of the top which can be dangerous. There is a valve at the bottom of the unit which can be opened to drain the unit. Place a container beneath the valve before opening. The C light indicates the water is too low and should be refilled.
- vii. If you intend to use Aromas only use Oceanic Steam Aroma – any other aromas could invalidate your warranty. Ensure the Aroma is diluted correctly and then add to the steam generator as above. Never use the aroma without diluting.
- viii. Make sure to drain down the mini steam generator at the end of your bathing session.

8.6. Recommended bathing times

We recommend all users start with a maximum test period of 10 minutes to observe for any adverse reaction.

A bathing session then comprises 2 or maximum 3 turns of up to 20 minutes with 20 minutes spent relaxing between turns. It is also advisable to spend a further hour relaxing after your bathing session to allow yourself to acclimatise. We advise no more than 2 bathing sessions in a 7 day period.

We also suggest caution with physical activity and driving immediately after bathing.

9. Guarantee

All generators and heaters are guaranteed for 12 months for domestic and commercial use from the date of purchase. This guarantee excludes consumable items such as the electrical elements and failures resulting from misuse or abuse such as a failure to descale.

If you encounter any difficulty with this assembly procedure or think we could have explained anything more clearly we would welcome your comments, please call T: 01902 655425 or T: 01902 871127 technical help line.