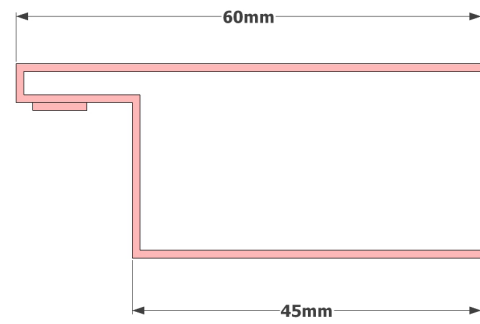


Top and bottom rail profile



Upright profile

